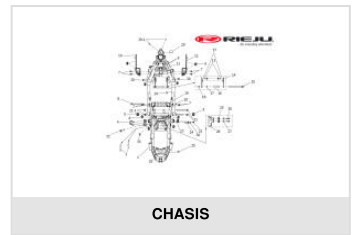
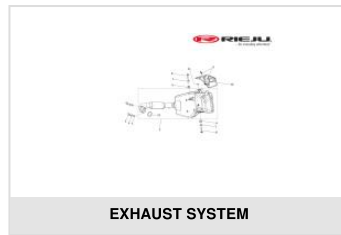
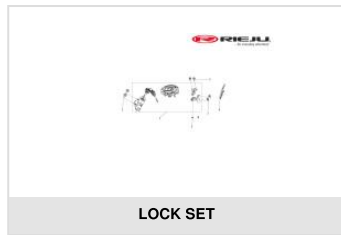


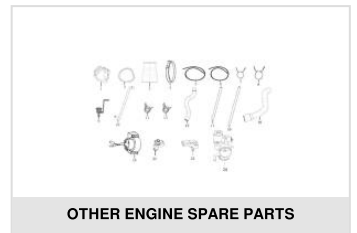
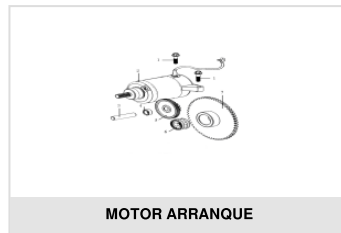
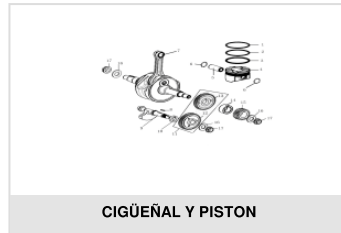
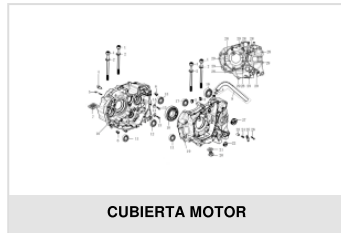
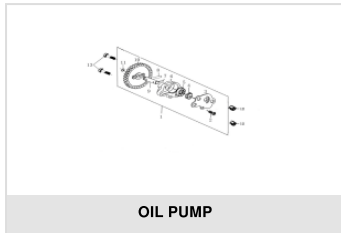
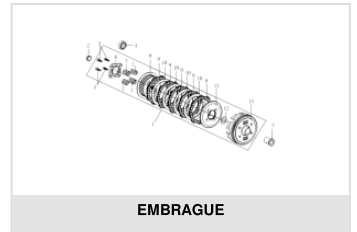
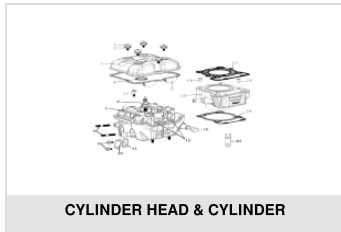


NKD 125 WHITE 2026

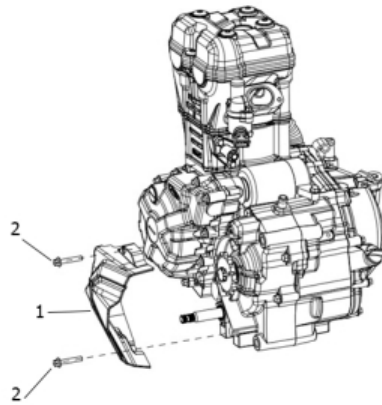
Exploded



ZY NKD125 E5+

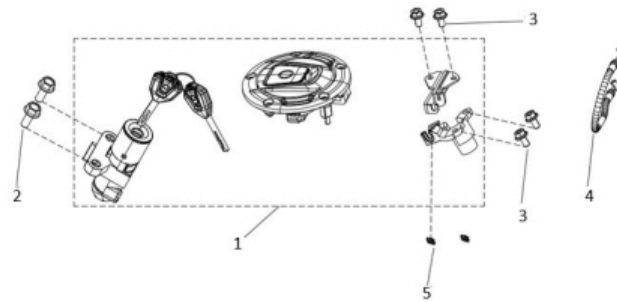


MOTOR COMPLETO



1 ENGINE SPROCKET COVER
0/000.220.7405 (u. 1)

2 BOLT M6x25
0/000.460.7440 (u. 2)

LOCK SET

1 LOCK KITS ASSEMBLY
0/001.060.7401 (u. 1)

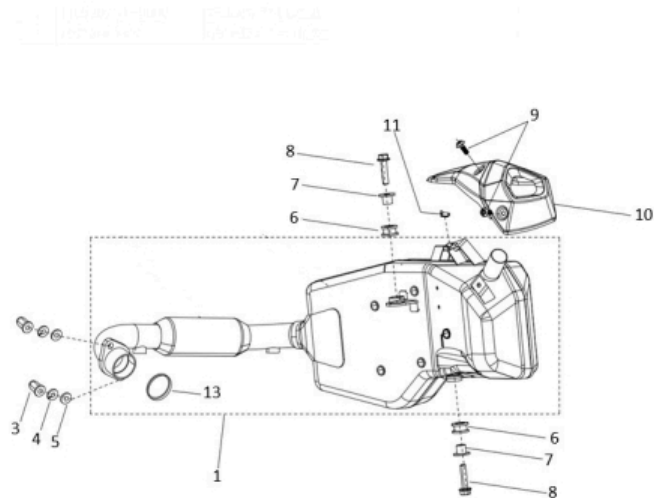
2 BOLT M8x20
0/000.460.7417 (u. 2)

3 BOLT M6x16
0/000.460.7413 (u. 4)

4 SEAT LOCK CABLE
0/000.550.7404 (u. 1)

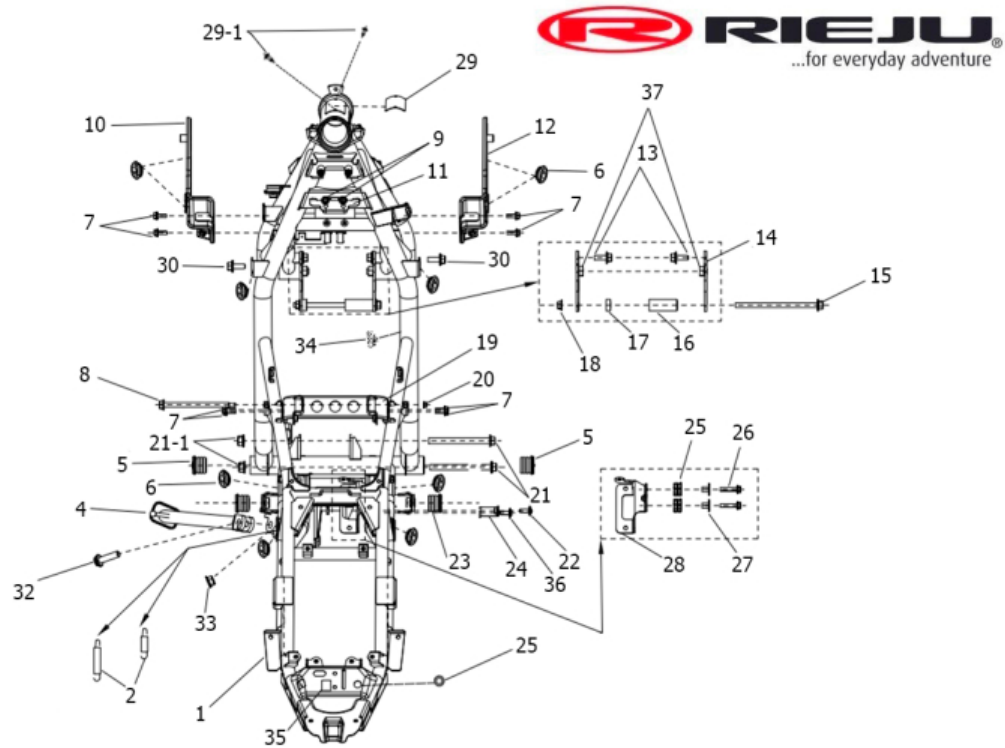
5 QUICK NUT M6
0/000.340.7404 (u. 2)

EXHAUST SYSTEM



1	EXHAUST PIPE NKD 125 0/000.290.7400 (u. 1)
3	CAP NUT M8 0/000.340.7405 (u. 2)
4	FLAT WASHER M8 0/000.440.7408 (u. 2)
5	SPRING WASHER M8 0/000.440.7410 (u. 2)
6	EXHAUST MOUNT RUBBER 0/000.360.7413 (u. 2)
7	EXHAUST BUSHING 0/000.480.7405 (u. 2)
8	BOLT M8x35 0/000.460.7415 (u. 2)
9	BOLT M6x12 0/000.460.7431 (u. 2)
10	EXHAUST TRIM COVER 0/000.220.7401 (u. 1)
11	EXHAUST GUARD MOUNT RUBBER 0/000.360.7405 (u. 1)
13	GRAPHITE EXHAUST GASKET 0/000.490.7401 (u. 1)

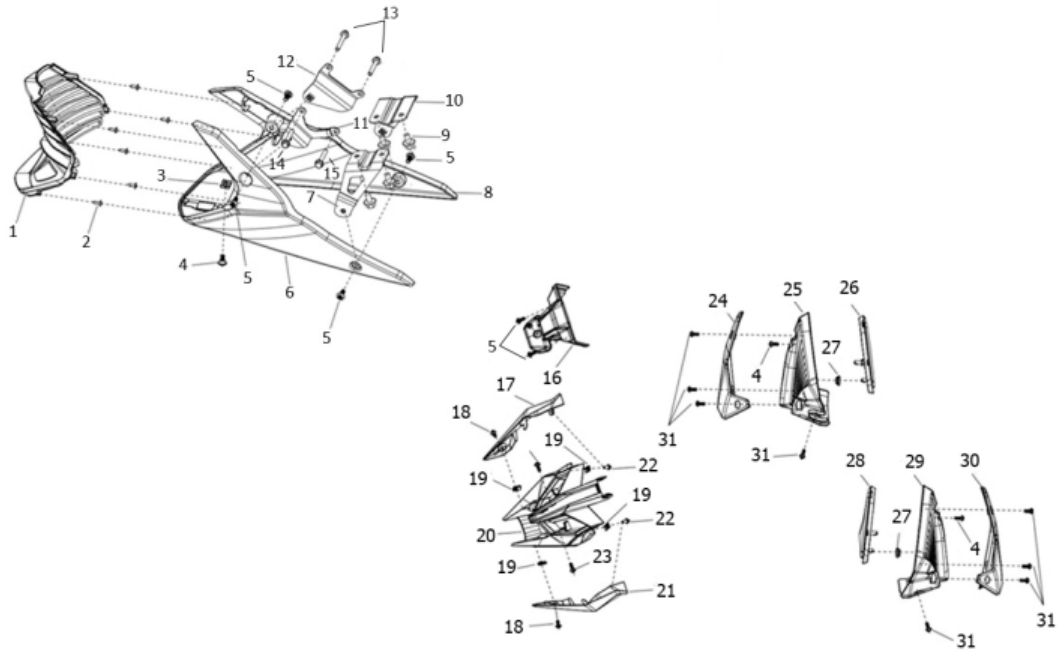
CHASIS



1	FRAME NAKED 125 0/000.010.7401 (u. 1)
2	SIDE STAND SPRING ASSEMBLY 0/000.470.7405 (u. 1)
4	SIDE STAND 0/000.210.7401 (u. 1)
5	FRAME PLUG 0/000.410.7404 (u. 2)
6	FRAME SILENTBLOCK 0/000.360.7415 (u. 8)
7	BOLT M6x12 0/000.460.7414 (u. 8)
8	FUEL TANK AXLE 0/000.190.7401 (u. 1)
9	BOLT M6x16 0/000.460.7413 (u. 2)
10	LEFT RADIATOR BRACKET 0/000.980.7402 (u. 1)
11	HANDLEBAR CABLE BRACKET 0/000.980.7411 (u. 1)
12	RIGHT RADIATOR BRACKET 0/000.980.7403 (u. 1)
13	BOLT M8x20 0/000.460.7417 (u. 2)
14	FRONT ENGINE BRACKET 0/000.980.7423 (u. 2)
15	ENGINE AXLE 0/000.190.7407 (u. 1)
16	FRONT ENGINE BRACKET SPACER 0/000.480.7410 (u. 1)

17	FRONT ENGINE BRACKET BUSHING 0/000.480.7411 (u. 1)
18	SELF-LOCKING NUT M8 0/000.340.7413 (u. 1)
19	REAR FUEL TANK BRACKET 0/000.980.7401 (u. 1)
20	SELF-LOCKING NUT M6 0/000.340.7412 (u. 1)
21	ENGINE AXLE 2 0/000.190.7408 (u. 2)
21-1	ENGINE AXLE SELF-LOCKING NUT 0/000.340.7414 (u. 2)
22	BOLT M6x12 0/000.460.7431 (u. 2)
23	FRAME PLUG 2 0/000.410.7405 (u. 2)
24	REAR BRAKE RESERVOIR BRACKET 0/000.980.7416 (u. 1)
25	ABS MODULE BRACKET MOUNT RUBBER 0/000.360.7414 (u. 3)
26	BOLT M6x25 0/000.460.7433 (u. 2)
27	ABS MODULE BRACKET BUSHING 0/000.480.7404 (u. 2)
28	ABS MODULE BRACKET 0/000.980.7418 (u. 1)
30	BOLT M10x30 0/000.460.7419 (u. 2)
32	BOLT M10x1.25x30 0/000.460.7423 (u. 1)
33	SELF-LOCKING NUT M10x1.25 0/000.340.7421 (u. 1)

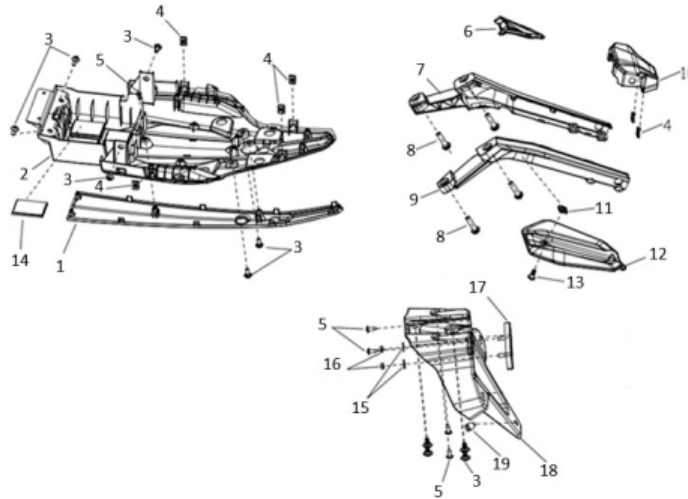
COVERS 1



1	LOWER FRONT GUARD 0/000.220.7404 (u. 1)
2	SCREW M4.2x12 0/000.460.7452 (u. 6)
3	QUICK NUT M6 0/000.340.7407 (u. 2)
4	BOLT M6x16 0/000.460.7425 (u. 4)
5	BOLT M6x12 0/000.460.7429 (u. 17)
6	ENGINE SPOILER LH 0/000.570.7419 (u. 1)
7	ENGINE SPOILER BRACKET 0/000.980.7428 (u. 1)
8	ENGINE SPOILER RH 0/000.570.7413 (u. 1)
9	BOLT M8x16 0/000.460.7444 (u. 4)
10	ENGINE SPOILER BRACKET 2 0/000.980.7429 (u. 1)
11	ENGINE SPOILER BRACKET LH 0/000.980.7426 (u. 1)
12	ENGINE SPOILER BRACKET RH 0/000.980.7427 (u. 1)
13	BOLT M6x40 0/000.460.7442 (u. 2)
14	BOLT M6x45 0/000.460.7443 (u. 1)
15	BOLT M6x35 0/000.460.7441 (u. 1)

16	INSTRUMENT CLUSTER COVER 0/000.570.7409 (u. 1)
17	HEADLIGHT COVER RIGHT TRIM 0/000.620.7402 (u. 1)
18	BOLT M6x12 0/000.460.7414 (u. 2)
19	QUICK NUT M6 0/000.340.7408 (u. 4)
20	HEADLIGHT COVER 0/000.620.7401 (u. 1)
21	HEADLIGHT COVER LEFT TRIM 0/000.620.7403 (u. 1)
22	BOLT M6x16 0/000.460.7413 (u. 2)
23	BOLT M6x16 0/000.460.7426 (u. 1)
24	RADIATOR DECORATIVE SIDE COVER LH 0/000.570.7404 (u. 1)
25	LEFT RADIATOR COVER 0/000.570.7403 (u. 1)
26	INNER PLATE OF LEFT RADIATOR COVER 0/000.570.7434 (u. 1)
27	FRAME SILENTBLOCK 0/000.360.7415 (u. 2)
28	INNER PLATE OF RIGHT RADIATOR COVER 0/000.570.7402 (u. 1)
29	RIGHT RADIATOR COVER 0/000.570.7401 (u. 1)
30	RADIATOR DECORATIVE SIDE COVER RH 0/000.570.7405 (u. 1)
31	BOLT M6x13 0/000.460.7427 (u. 8)

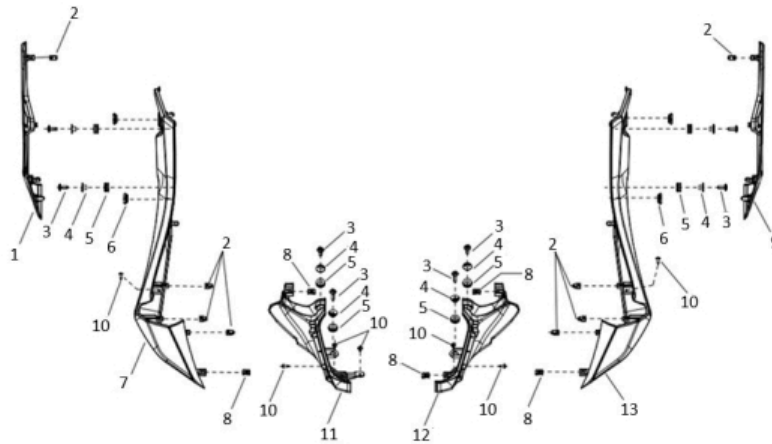
COVERS 2



1	FRAME BOTTOM PLATE DECORATIVE PIECE 0/000.570.7408 (u. 1)
2	FRAME BOTTOM PLATE 0/000.570.7407 (u. 1)
3	BOLT M6x12 0/000.460.7429 (u. 10)
4	SELF-TAPPING SPRING WASHER ST4.2 0/000.340.7406 (u. 6)
5	SCREW M4.2x12 0/000.460.7452 (u. 5)
6	REAR LICENSE PLATE BRACKET DECORATIVE COVER 0/000.570.7433 (u. 1)
7	REAR LICENSE PLATE BRACKET RIGHT MOUNTING PLATE 0/000.980.7431 (u. 1)
8	INTERNAL TORX TRUSS HEAD SCREW M6*1*25 0/000.460.7434 (u. 4)
9	REAR LICENSE PLATE BRACKET LEFT MOUNTING PLATE 0/000.980.7432 (u. 1)
10	LICENSE PLATE LIGHT SOCKET 0/000.570.7406 (u. 1)
11	QUICK NUT M6 0/000.340.7407 (u. 1)
12	REAR FENDER REAR DECORATIVE PLATE 0/000.570.7432 (u. 1)
13	BOLT M6x16 0/000.460.7425 (u. 1)
14	BATTERY ANTI-VIBRATION MOUNT RUBBER 0/000.360.7407 (u. 3)
16	NUT M5X0.8 0/000.340.7410 (u. 2)

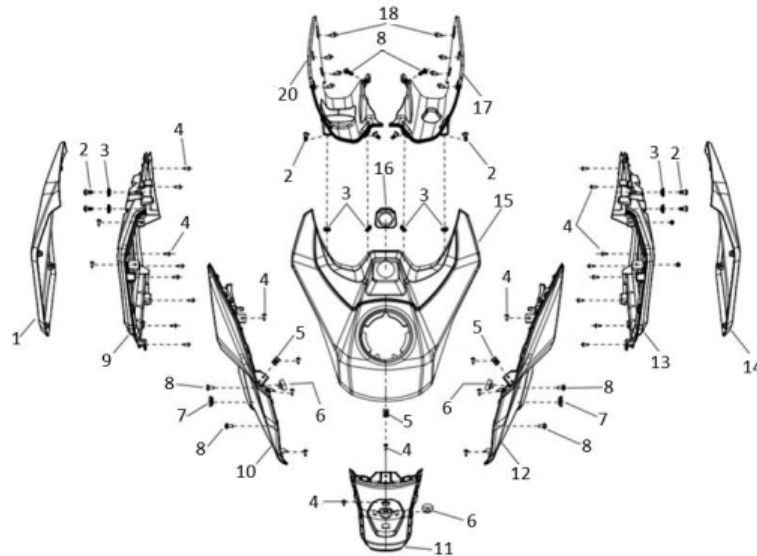
17	REAR REFLECTOR 0/000.630.7409 (u. 1)
18	REAR FENDER LICENSE PLATE HOLDER 0/000.060.7402 (u. 1)
19	ANTI VIBRATION LICENSE PLATE BRACKET SILENTBLOCK 0/000.360.7412 (u. 1)

COVERS 3



1	LEFT SIDE COVER 0/000.570.7416 (u. 1)
2	SELF-LOCKING QUICK NUT M6 0/000.340.7409 (u. 8)
3	TORX SCREW M6x20 0/000.460.7412 (u. 8)
4	SIDE PLASTIC MOUNTING BUSHING 0/000.480.7413 (u. 8)
5	SIDE PLASTIC MOUNT RUBBER 0/000.360.7417 (u. 8)
6	FRAME SILENTBLOCK 0/000.360.7415 (u. 4)
7	REAR SIDE COVER LH 0/000.570.7417 (u. 1)
8	SELF-TAPPING SPRING WASHER ST4.2 0/000.340.7406 (u. 5)
9	RIGHT SIDE COVER 0/000.570.7410 (u. 1)
10	SCREW M4.2x12 0/000.460.7452 (u. 7)
11	REAR INNER SIDE COVER RH 0/000.570.7412 (u. 1)
12	REAR INNER SIDE COVER LH 0/000.570.7418 (u. 1)
13	REAR SIDE COVER RH 0/000.570.7411 (u. 1)

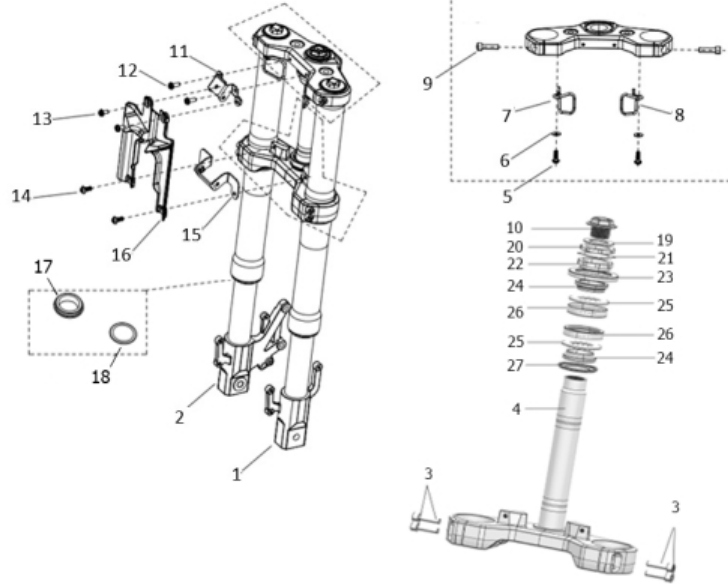
COVERS 4



1	FUEL TANK SIDE COVER LH 0/000.570.7420 (u. 1)
2	BOLT M6x16 0/000.460.7425 (u. 4)
3	QUICK NUT M6 0/000.340.7407 (u. 8)
4	SCREW M4.2x12 0/000.460.7452 (u. 30)
5	SELF-TAPPING SPRING WASHER ST4.2 0/000.340.7406 (u. 3)
6	CLUTCH LEVER PROTECTION RUBBER 0/000.360.7401 (u. 3)
7	FRAME SILENTBLOCK 0/000.360.7415 (u. 2)
8	BOLT M6x12 0/000.460.7429 (u. 6)
9	INNER FUEL TANK SIDE COVER LH 0/000.570.7421 (u. 1)
10	LOWER FUEL TANK COVER LH WHITE 0/000.570.7431 (u. 1)
11	CENTRAL FUEL TANK COVER WHITE 0/000.570.7424 (u. 1)
12	LOWER FUEL TANK COVER RH WHITE 0/000.570.7428 (u. 1)
13	INNER FUEL TANK SIDE COVER RH 0/000.570.7415 (u. 1)
14	FUEL TANK SIDE COVER RH 0/000.570.7414 (u. 1)
15	RED / BLACK FUEL TANK COVER 0/000.570.7426 (u. 1)

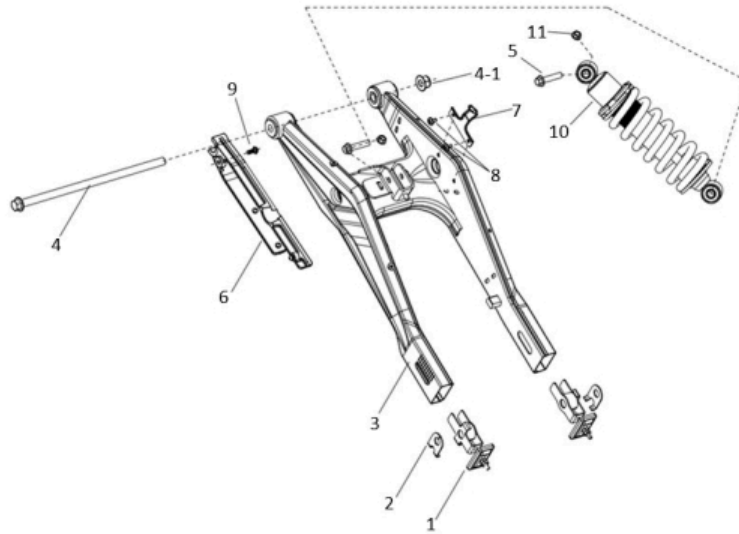
16	FUEL TANK MOUNT RUBBER 0/000.360.7411 (u. 1)
17	FRONT FUEL TANK COVER RH 0/000.570.7429 (u. 1)
18	PLASTIC RIVET 0/000.330.7401 (u. 8)
20	FRONT FUEL TANK COVER LH 0/000.570.7422 (u. 1)

FRONT SUSPENSION



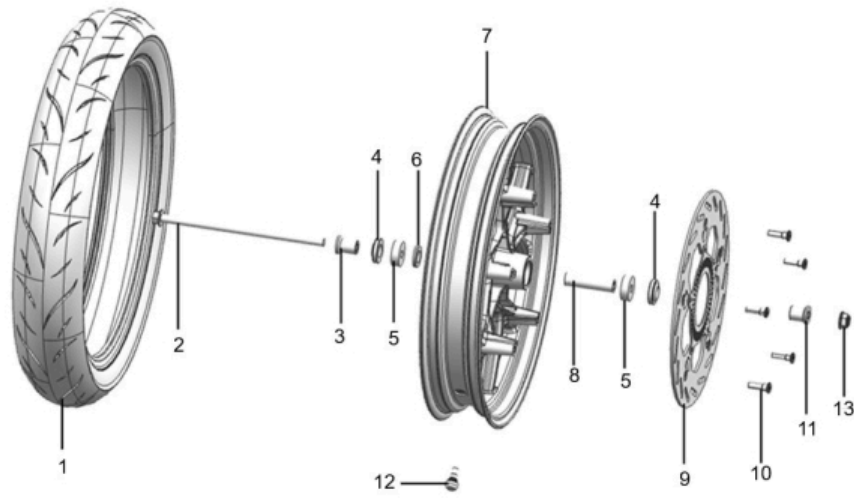
1	FRONT LEFT SHOCK ABSORBER 0/000.130.7402 (u. 1)
2	FRONT RIGHT SUSPENSION SHOCK ABSORBER 0/000.130.7401 (u. 1)
3	BRACKET MOUNTING BOLT M8x35 0/000.460.7450 (u. 4)
4	TRIPLE CLAMP + STEERING STEM 0/000.660.7401 (u. 1)
5	BOLT M6x12 0/000.460.7431 (u. 2)
6	FLAT WASHER Ø6x18 0/000.440.7405 (u. 2)
7	CABLE GUIDE LH 0/000.630.7405 (u. 1)
8	CABLE GUIDE RH 0/000.630.7406 (u. 1)
9	UPPER BRACKET MOUNTING BOLT M8x30 0/000.460.7449 (u. 2)
10	UPPER FORK BOLT 0/000.460.7405 (u. 1)
11	UPPER HEADLIGHT HOLDER BRACKET 0/000.980.7425 (u. 1)
12	BOLT M6x16 0/000.460.7413 (u. 2)
13	BOLT M6x12 0/000.460.7414 (u. 2)
14	BOLT M6x12 0/000.460.7429 (u. 4)
15	HEADLIGHT BRACKET 0/000.980.7410 (u. 1)

16	CENTER HEADLIGHT HOLDER BRACKET 0/000.980.7424 (u. 1)
17	FORK SEAL 0/000.890.7405 (u. 2)
18	FORK DUST SEAL 0/000.200.7403 (u. 2)
19	UPPER STEERING WASHER 0/000.440.7401 (u. 1)
20	UPPER STEERING NUT 0/000.340.7401 (u. 1)
21	WASHER FOR ADJUSTING NUT 0/000.440.7402 (u. 1)
22	LOCKING NUT STEERING STEM 0/000.340.7402 (u. 1)
23	DUST PROOF COVER 0/000.200.7402 (u. 1)
24	UPPER COVER FOR UPPER BEARING 0/000.960.7407 (u. 2)
25	BEARING BALLS 0/000.960.7409 (u. 2)
26	LOWER COVER FOR UPPER BEARING 0/000.960.7408 (u. 2)
27	DUST SEAL RING 0/000.300.7403 (u. 1)

REAR SUSPENSION


1	CHAIN TENSIONER 0/000.380.7401 (u. 2)
2	CHAIN TENSIONER GUIDE PLATE LH 0/000.220.7402 (u. 2)
3	SWINGARM 0/000.020.7401 (u. 1)
4	SWINGARM AXLE 0/000.190.7409 (u. 1)
4-1	SWINGARM AXLE NUT 0/000.340.7415 (u. 1)
5	BOLT M10x50 0/000.460.7420 (u. 2)
6	CHAIN SLIDER 0/000.360.7408 (u. 1)
6-1	BOLT M6x12 0/000.460.7429 (u. 1)
7	REAR FENDER BRACKET 0/000.980.7433 (u. 1)
8	BOLT M6x12 0/000.460.7414 (u. 2)
9	BOLT M6x16 0/000.460.7425 (u. 1)
10	REAR SHOCK ABSORBER 0/000.180.7401 (u. 1)
11	METAL SELF-LOCKING NUT M10 0/000.340.46013 (u. 2)

FRONT WHEEL



1 FRONT TIRE
0/000.510.7402 (u. 1)

2 FRONT WHEEL AXLE
0/000.190.7404 (u. 1)

3 FRONT WHEEL LH SPACER
0/000.480.7406 (u. 1)

4 FRONT WHEEL LH OIL SEAL
0/000.890.7404 (u. 2)

5 FRONT WHEEL BEARING
0/000.960.7406 (u. 2)

6 BEARING RING
0/000.960.7405 (u. 1)

7 FRONT RIM
0/000.230.7401 (u. 1)

8 FRONT WHEEL INNER SPACER
0/000.480.7403 (u. 1)

9 FRONT BRAKE DISC
0/001.090.7402 (u. 1)

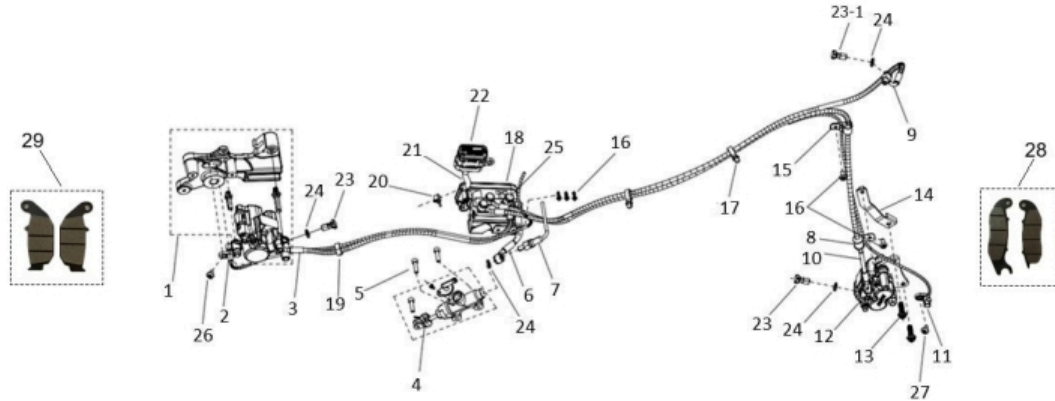
10 SCREW M8x25
0/000.460.7421 (u. 5)

11 FRONT WHEEL RH SPACER
0/000.480.7407 (u. 1)

12 TUBELESS VALVE
0/000.640.7404 (u. 1)

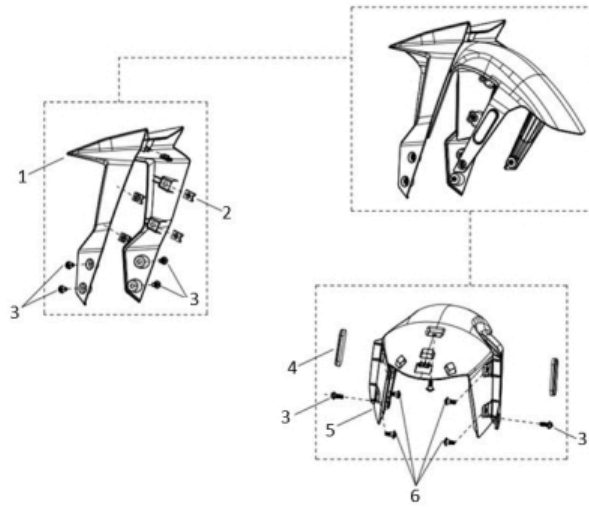
13 FRONT WHEEL AXLE NUT
0/000.340.7417 (u. 1)

BRAKE ASSY.



1	REAR BRAKE CALIPER BRACKET 0/000.860.7403 (u. 1)
1-2	REAR BRAKE PAD CLIP 0/000.630.7402 (u. 1)
2	REAR BRAKE SENSOR 0/001.010.7405 (u. 1)
3	REAR CALIPER TO ABS MODULE HOSE 0/000.290.7411 (u. 1)
4	REAR BRAKE MASTER CYLINDER 0/000.860.7402 (u. 1)
5	TORX SCREW M6x20 0/000.460.7410 (u. 2)
6	REAR MASTER CYLINDER TO ABS MODULE HOSE 0/000.290.7410 (u. 1)
7	REAR BRAKE SWITCH 0/000.720.7404 (u. 1)
8	TUBE FIXING CLIP 0/000.630.7403 (u. 2)
9	FRONT MASTER CYLINDER TO ABS MODULE HOSE 0/000.290.7413 (u. 1)
10	FRONT CALIPER TO ABS MODULE HOSE 0/000.290.7414 (u. 1)
11	FRONT ABS SENSOR 0/001.010.7404 (u. 1)
12	FRONT BRAKE CALIPER 0/000.860.7404 (u. 1)
12-1	FRONT BRAKE PAD (1pc) 0/000.930.7402 (u. 1)
13	INTERNAL TORX TRUSS HEAD SCREW M6*1*25 0/000.460.7416 (u. 2)

14	FRONT BRAKE HOSE BRACKET 0/000.980.7417 (u. 1)
15	BRAKE HOSE CLAMP 0/000.680.7402 (u. 2)
16	BOLT M6x12 0/000.460.7431 (u. 5)
17	BRAKE HOSE CLAMP 2 0/000.680.7408 (u. 2)
18	ABS MODULE 0/000.820.7401 (u. 1)
19	BRAKE HOSE CLIP 0/000.630.7404 (u. 2)
19-1	BRAKE HOSE CLIP 2 0/000.630.7410 (u. 2)
20	CLAMP Ø10 0/000.680.7401 (u. 1)
21	BRAKE FLUID RESERVOIR HOSE 0/000.290.7412 (u. 1)
22	BRAKE FLUID RESERVOIR 0/000.030.7403 (u. 1)
23	BRAKE BLEED SCREW 0/000.460.7402 (u. 2)
23-1	OUTLET PIPE BOLT 0/000.460.7401 (u. 1)
24	COPPER WASHER 0/000.440.7406 (u. 16)
25	BOLT M10x22 0/000.460.7424 (u. 4)
27	TORX SCREW M6x20 0/000.460.7430 (u. 2)
28	FRONT BRAKE PAD (1pc) 0/000.930.7402 (u. 1)
29	REAR BRAKE PAD SET 0/000.930.7401 (u. 1)

FRONT MUDGUARD


1 FRONT FENDER RED
0/000.050.7403 (u. 1)

2 QUICK NUT M6
0/000.340.7407 (u. 5)

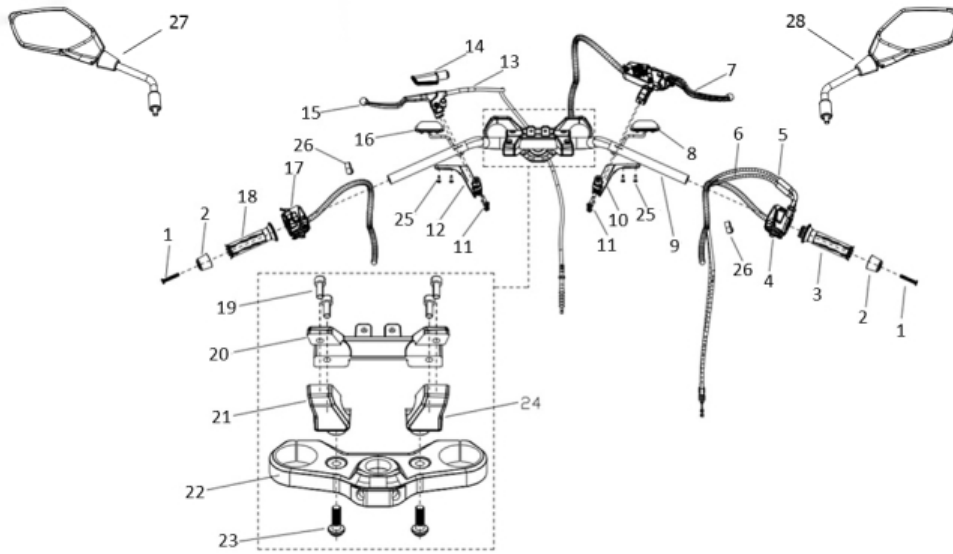
3 BOLT M6x12
0/000.460.7429 (u. 6)

4 FRONT FENDER REFLECTOR
0/000.630.7408 (u. 2)

5 INNER FRONT FENDER
0/000.050.7401 (u. 1)

6 BOLT M6x16
0/000.460.7428 (u. 5)

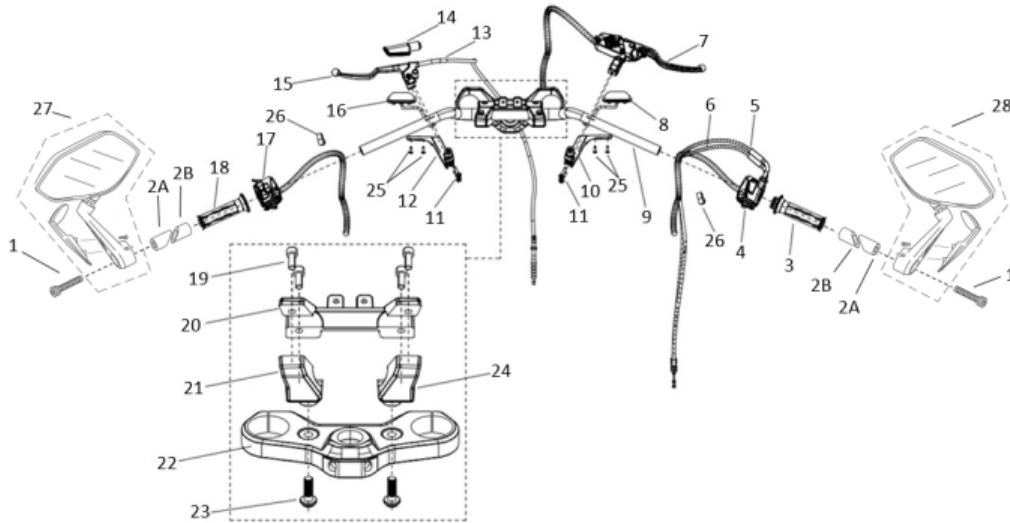
HANDLEBAR - MIRROR V.1



1	HANDLEBAR WEIGHT SCREW 0/000.460.7407 (u. 2)
2	HANDLEBAR BALANCE WEIGHT 0/000.410.7403 (u. 2)
2-1	NUT M6 0/000.340.7418 (u. 2)
2-2	HANDLEBAR WEIGHT SCREW 0/000.460.7406 (u. 2)
3	RH GRIP + THROTTLE TUBE 0/000.530.7401 (u. 1)
4	RIGHT HANDLEBAR SWITCH 0/000.720.7401 (u. 1)
5	THROTTLE CABLE 1 0/000.550.7402 (u. 1)
6	THROTTLE CABLE 2 0/000.550.7403 (u. 1)
7	FRONT BRAKE PUMP ASSY 0/000.860.7405 (u. 1)
7-1	BRAKE LEVER 0/000.830.7401 (u. 1)
7-2	BRAKE LEVER SCREW 0/000.460.7408 (u. 1)
7-3	SELF-LOCKING NUT M6 0/000.340.7412 (u. 1)
8	FRONT RH INDICATOR 0/000.150.7401 (u. 1)
9	HANDLEBAR 0/000.170.7401 (u. 1)
10	FRONT RH INDICATOR BRACKET 0/000.980.7408 (u. 1)

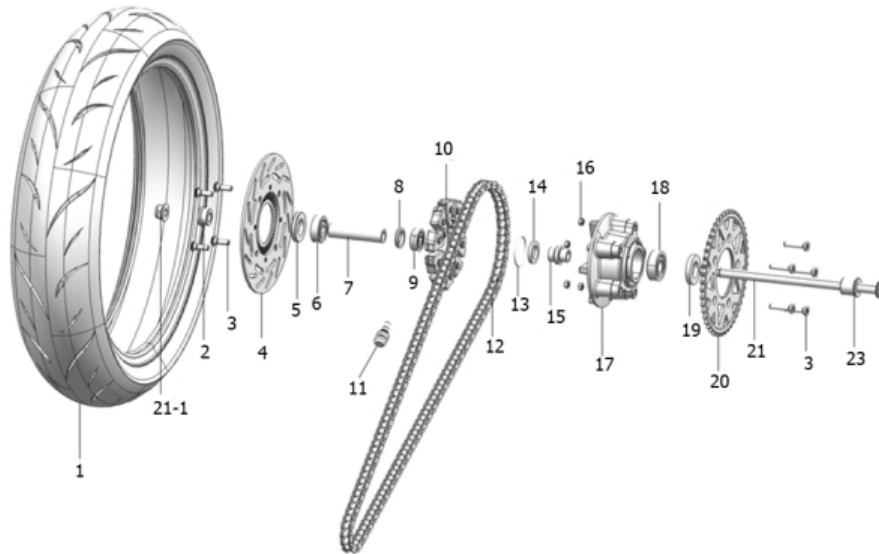
11	TORX SCREW M6x20 0/000.460.7430 (u. 4)
12	FRONT LH TURN SIGNAL BRACKET 0/000.980.7409 (u. 1)
13	CLUTCH CABLE 0/000.550.7401 (u. 1)
14	CENTRAL FUEL TANK PLASTIC FIXING RUBBER 0/000.360.7410 (u. 1)
15	CLUTCH LEVER 0/000.830.7402 (u. 1)
16	FRONT LH INDICATOR 0/000.150.7402 (u. 1)
17	LEFT HANDLEBAR SWITCH 0/000.720.7403 (u. 1)
18	LH RUBBER GRIP 0/000.530.7402 (u. 1)
19	INTERNAL TORX HEX HEAD BOLT M8x25 0/000.460.7448 (u. 4)
20	HANDLEBAR CLAMP 0/000.350.7403 (u. 1)
21	LOWER LH HANDLEBAR CLAMP 0/000.350.7402 (u. 1)
22	UPPER LINKAGE PLATE 0/000.660.7402 (u. 1)
23	BOLT M10x30 0/000.460.7419 (u. 2)
24	LOWER RH HANDLEBAR CLAMP 0/000.350.7401 (u. 1)
25	BOLT M4x12 0/000.460.7409 (u. 4)
26	CABLE CLIP 0/000.630.7407 (u. 2)
27	LH REARVIEW MIRROR 0/000.770.7401 (u. 1)
28	RH REARVIEW MIRROR 0/000.770.7402 (u. 1)

HANDLEBAR - MIRROR V.2



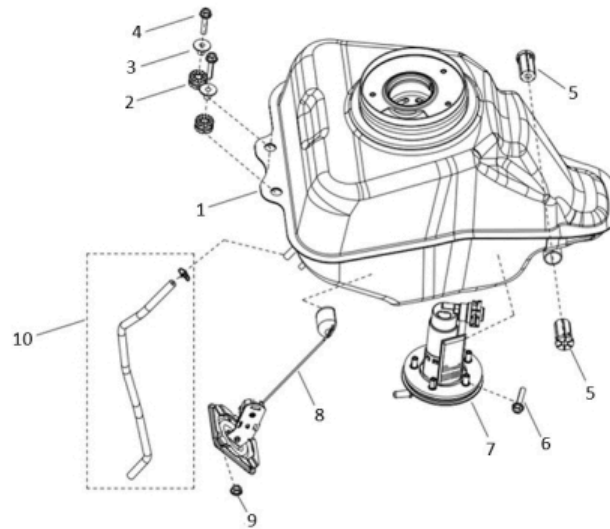
1	HANDLEBAR WEIGHT SCREW 0/000.460.7407 (u. 2)
2A	OUTER HANDLEBAR MIRROR FIXING BUSHING 0/000.480.7415 (u. 2)
2B	INNER HANDLEBAR MIRROR FIXING BUSHING 0/000.480.7414 (u. 2)
3	RH GRIP + THROTTLE TUBE 0/000.530.7401 (u. 1)
4	RIGHT HANDLEBAR SWITCH 0/000.720.7401 (u. 1)
5	THROTTLE CABLE 1 0/000.550.7402 (u. 1)
6	THROTTLE CABLE 2 0/000.550.7403 (u. 1)
7	FRONT BRAKE PUMP ASSY 0/000.860.7405 (u. 1)
7-1	BRAKE LEVER 0/000.830.7401 (u. 1)
7-2	BRAKE LEVER SCREW 0/000.460.7408 (u. 1)
7-3	SELF-LOCKING NUT M6 0/000.340.7412 (u. 1)
8	FRONT RH INDICATOR 0/000.150.7401 (u. 1)
9	HANDLEBAR 0/000.170.7401 (u. 1)
10	FRONT RH INDICATOR BRACKET 0/000.980.7408 (u. 1)
11	TORX SCREW M6x20 0/000.460.7430 (u. 4)

12	FRONT LH TURN SIGNAL BRACKET 0/000.980.7409 (u. 1)
13	CLUTCH CABLE 0/000.550.7401 (u. 1)
14	CENTRAL FUEL TANK PLASTIC FIXING RUBBER 0/000.360.7410 (u. 1)
15	CLUTCH LEVER 0/000.830.7402 (u. 1)
16	FRONT LH INDICATOR 0/000.150.7402 (u. 1)
17	LEFT HANDLEBAR SWITCH 0/000.720.7403 (u. 1)
18	LH RUBBER GRIP 0/000.530.7402 (u. 1)
19	INTERNAL TORX HEX HEAD BOLT M8x25 0/000.460.7448 (u. 4)
20	HANDLEBAR CLAMP 0/000.350.7403 (u. 1)
21	LOWER LH HANDLEBAR CLAMP 0/000.350.7402 (u. 1)
22	UPPER LINKAGE PLATE 0/000.660.7402 (u. 1)
23	BOLT M10x30 0/000.460.7419 (u. 2)
24	LOWER RH HANDLEBAR CLAMP 0/000.350.7401 (u. 1)
25	BOLT M4x12 0/000.460.7409 (u. 4)
26	CABLE CLIP 0/000.630.7407 (u. 2)
27	HANDLEBAR MIRROR NAKED LH 0/000.770.7404 (u. 1)
28	HANDLEBAR MIRROR NAKED RH 0/000.770.7403 (u. 1)

REAR WHEEL


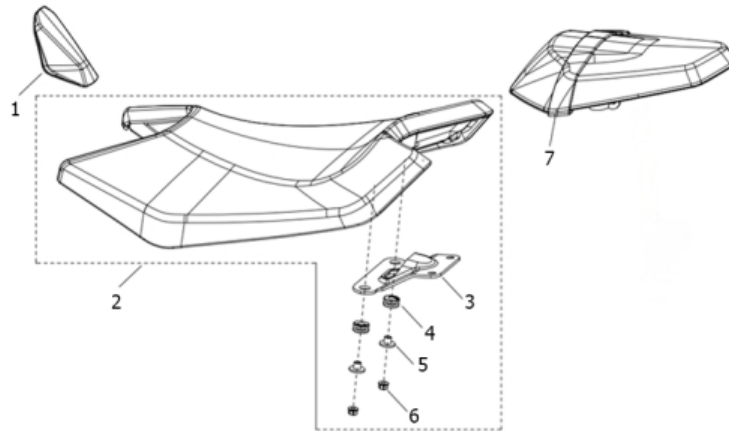
1	REAR TIRE 0/000.510.7401 (u. 1)
2	RH REAR WHEEL BUSHING 0/000.480.7409 (u. 1)
3	SCREW M8x15 0/000.460.7422 (u. 9)
4	REAR BRAKE DISC 0/001.090.7401 (u. 1)
5	RH REAR WHEEL SEAL 0/000.890.7402 (u. 1)
6	RH REAR WHEEL BEARING 0/000.960.7403 (u. 1)
7	CENTRAL REAR WHEEL SPACER 0/000.480.7402 (u. 1)
8	LH REAR WHEEL BEARING RING 0/000.960.7402 (u. 1)
9	LH REAR WHEEL BEARING 0/000.960.7404 (u. 1)
10	SPROCKET CARRIER DAMPER 0/000.360.7409 (u. 5)
11	TUBELESS VALVE 0/000.640.7404 (u. 1)
12	CHAIN 0/001.050.7401 (u. 1)
13	REAR WHEEL DUST COVER 0/000.200.7401 (u. 1)
14	LH REAR WHEEL SEAL 0/000.890.7403 (u. 1)
15	INNER SPROCKET CARRIER BUSHING 0/000.480.7401 (u. 1)

16	NUT M8x1.25 0/000.340.7416 (u. 5)
17	SPROCKET HUB ASSEMBLY 0/000.980.7415 (u. 1)
18	SPROCKET HUB BEARING 0/000.960.7401 (u. 1)
19	SPROCKET HUB SEAL 0/000.890.7401 (u. 1)
20	DRIVE SPROCKET 0/000.500.7401 (u. 1)
21	REAR WHEEL AXLE 0/000.190.7403 (u. 1)
21-1	SWINGARM AXLE NUT 0/000.340.7415 (u. 1)
22	LH REAR WHEEL BUSHING 0/000.480.7408 (u. 1)

FUEL TANK


1	FUEL TANK 0/000.030.7401 (u. 1)
2	ABS MODULE BRACKET MOUNT RUBBER 0/000.360.7414 (u. 2)
3	ABS MODULE BRACKET BUSHING 0/000.480.7404 (u. 2)
4	SCREW M6x25 0/000.460.7411 (u. 2)
5	FUEL TANK ANTIVIBRATION DAMPER 0/000.360.7402 (u. 2)
6	SCREW M5x20 0/000.460.7445 (u. 5)
7	FUEL PUMP 0/000.860.7401 (u. 1)
8	FUEL LEVEL SENSOR 0/001.010.7401 (u. 1)
9	SELF-LOCKING NUT M6 0/000.340.7411 (u. 4)
10	OVERFLOW PIPE 0/000.290.7401 (u. 1)

SEAT



1 REAR FUEL TANK DECORATIVE COVER
0/000.040.7403 (u. 1)

2 COMPLETE SEAT ASSEMBLY
0/000.040.7401 (u. 1)

3 LOWER SEAT BRACKET
0/000.980.7430 (u. 1)

4 SEAT DAMPER
0/000.360.7416 (u. 2)

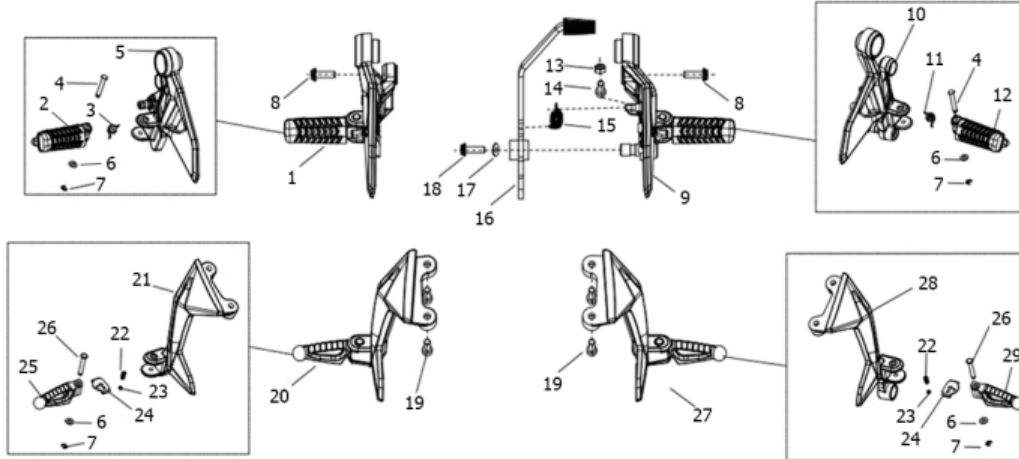
5 SIDE PLASTIC MOUNTING BUSHING
0/000.480.7412 (u. 2)

6 NUT M6
0/000.340.7418 (u. 2)

7 PASSENGER SEAT
0/000.040.7402 (u. 1)

8 SCREW ST4.2x10
0/000.460.7436 (u. 1)

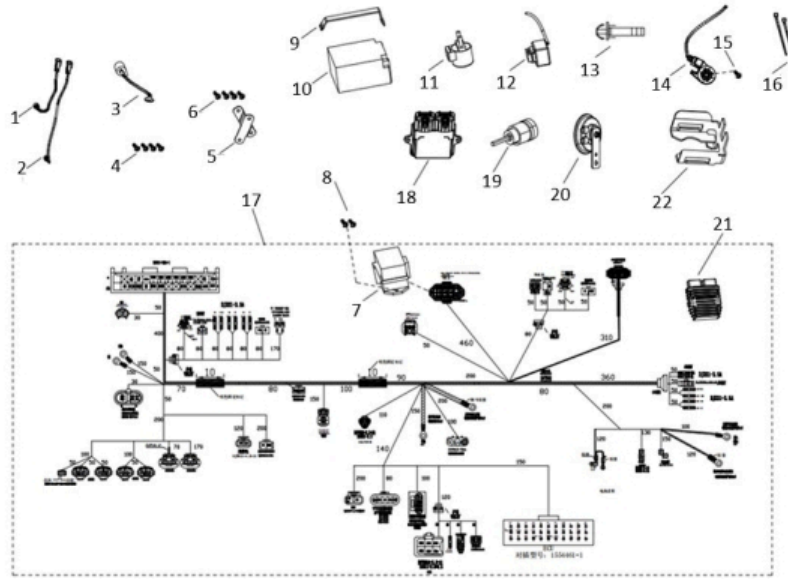
FOOTREST



1	FRONT LH FOOTPEG ASSEMBLY 0/K00.740.7402 (u. 1)
2	FRONT LH FOOTPEG 0/000.740.7402 (u. 1)
3	FRONT LH FOOTPEG SPRING 0/000.470.7403 (u. 1)
4	FRONT LH FOOTPEG PIN 0/000.190.7405 (u. 2)
5	FRONT LH FOOTPEG BRACKET 0/000.980.7420 (u. 1)
6	WASHER D13xD6,5 0/000.440.7407 (u. 4)
7	FOOTPEG PIN CIRCLIP 0/000.300.7402 (u. 4)
8	INTERNAL TORX TRUSS HEAD SCREW M6*1*25 0/000.460.7416 (u. 2)
9	FRONT RH FOOTPEG ASSEMBLY 0/K00.740.7401 (u. 1)
10	FRONT RH FOOTPEG BRACKET 0/000.980.7419 (u. 1)
11	FRONT RH FOOTPEG SPRING 0/000.470.7402 (u. 1)
12	FRONT RH FOOTPEG 0/000.740.7401 (u. 1)
13	SCREW M6x25 0/000.460.7438 (u. 1)
14	NUT M6 0/000.340.7418 (u. 1)
15	BRAKE PEDAL SPRING 0/000.470.7401 (u. 1)

16	BRAKE PEDAL 0/000.730.7401 (u. 1)
17	WASHER D6xD25 0/000.440.7404 (u. 1)
18	BOLT M6x12 0/000.460.7431 (u. 1)
19	INTERNAL TORX HEX HEAD BOLT M8x25 0/000.460.7448 (u. 4)
20	REAR LH FOOTPEG ASSEMBLY 0/K00.740.7404 (u. 1)
21	REAR LH FOOTPEG BRACKET 0/000.980.7422 (u. 1)
22	REAR LH FOOTPEG SPRING 0/000.470.7404 (u. 2)
23	REAR FOOTREST POSITIONING BALL 0/000.300.7401 (u. 2)
24	REAR FOOTREST LIMITER PLATE 0/000.220.7403 (u. 2)
25	REAR LH FOOTPEG 0/000.740.7404 (u. 1)
26	REAR FOOTPEG PIN 0/000.190.7406 (u. 2)
27	REAR RH FOOTPEG ASSEMBLY 0/K00.740.7403 (u. 1)
28	REAR RH FOOTPEG BRACKET 0/000.980.7421 (u. 1)
29	REAR RH FOOTPEG 0/000.740.7403 (u. 1)

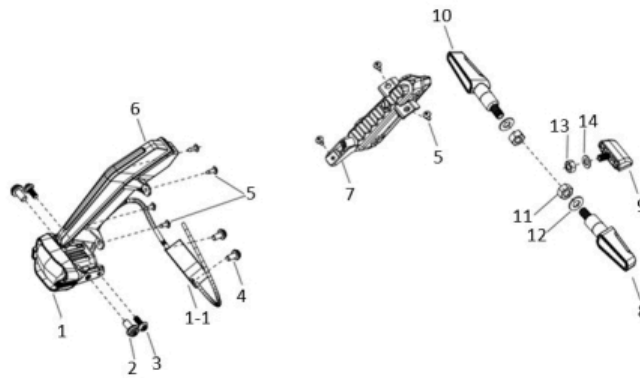
ELECTRIC SYSTEM



1	LAMBDA SENSOR 1 0/001.010.7402 (u. 1)
2	LAMBDA SENSOR 2 0/001.010.7403 (u. 1)
3	IGNITION COIL 0/005.070.7401 (u. 1)
4	TORX SCREW M6x20 0/000.460.7412 (u. 4)
5	VOLTAGE REGULATOR BRACKET 0/000.980.7407 (u. 1)
6	BOLT M6x12 0/000.460.7414 (u. 4)
7	FUSE BOX 0/001.200.7404 (u. 1)
8	BOLT M6x16 0/000.460.7413 (u. 2)
9	BATTERY FIXING STRAP 0/000.980.7406 (u. 1)
10	BATTERY 0/000.900.7401 (u. 1)
11	STARTER RELAY 0/001.200.7401 (u. 1)
12	FLASHING RELAY 0/001.200.7407 (u. 1)
13	ELECTRICAL HARNESS FIXING CLIP 0/000.630.7401 (u. 10)
14	EMERGENCY SHUTDOWN SWITCH 0/000.720.7402 (u. 1)
15	SCREW M6x16 0/000.460.7432 (u. 1)

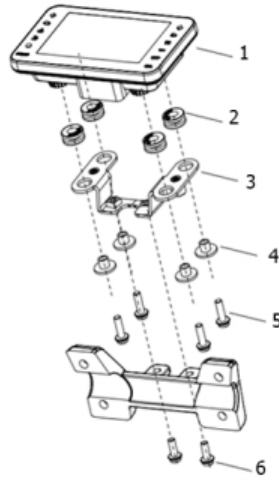
16	MAIN HARNESS TIES 0/000.680.7407 (u. 10)
17	MAIN HARNESS 0/000.160.7401 (u. 1)
17-1	AUXILIARY RELAY 0/001.200.7403 (u. 4)
18	ECU 0/005.705.7401 (u. 1)
19	USB CHARGING PORT 0/001.200.7405 (u. 1)
20	HORN 0/000.420.7401 (u. 1)
20-1	SCREW M8x16 0/000.460.7418 (u. 1)
21	VOLTAGE RECTIFIER 0/001.200.7402 (u. 1)
22	RECTIFIER BRACKET 0/000.980.7413 (u. 1)

LUCES



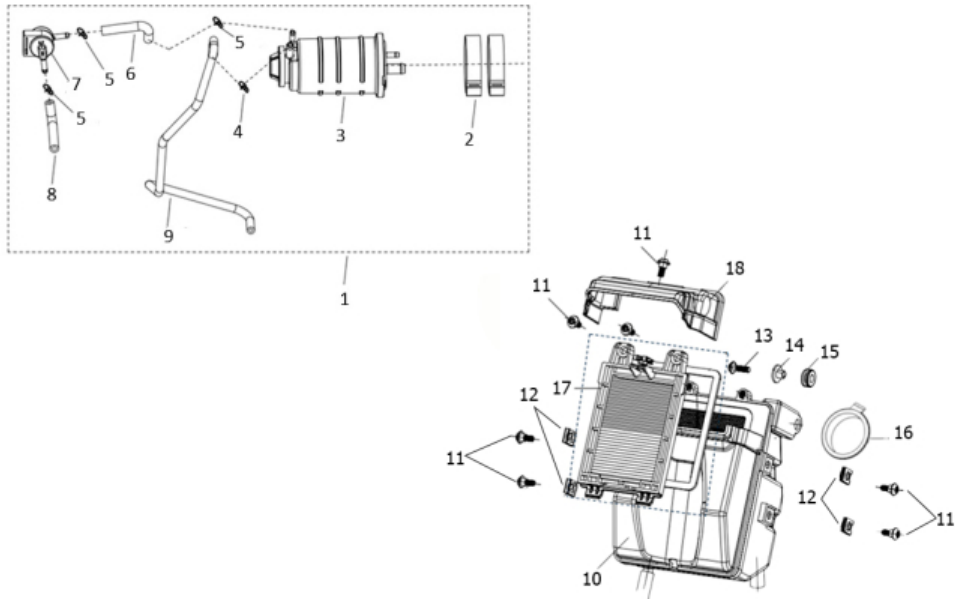
1	FRONT HEADLIGHT 0/000.600.7401 (u. 1)
2	SCREW M8x12 0/000.460.7437 (u. 2)
3	BOLT M6x12 0/000.460.7429 (u. 1)
4	SCREW M5x12 0/000.460.7451 (u. 2)
5	SCREW M4.2x12 0/000.460.7452 (u. 7)
6	FRONT POSITION LIGHT 0/000.150.7407 (u. 1)
7	REAR BRAKE LIGHT 0/000.150.7405 (u. 1)
8	REAR LH TURN SIGNAL 0/000.150.7404 (u. 1)
9	LICENSE PLATE LIGHT 0/000.150.7406 (u. 1)
10	REAR RH TURN SIGNAL 0/000.150.7403 (u. 1)
11	NUT M10x1.25 0/000.340.7420 (u. 2)
12	WASHER M10 0/000.440.7409 (u. 2)
13	HEX NUT ISO 4032 - M8 (BLACK/ZINC) 0/000.340.3807 (u. 1)
14	FLAT WASHER M8 0/000.440.7408 (u. 1)
15	CONTROLLER FOR HEADLIGHT 0/001.200.7406 (u. 1)

DASHBOARD



1	DISPLAY ODOMETER 0/001.000.7401 (u. 1)
2	SEAT DAMPER 0/000.360.7416 (u. 4)
3	ODOMETER DISPLAY BRACKET 0/000.980.7412 (u. 1)
4	SIDE PLASTIC MOUNTING BUSHING 0/000.480.7413 (u. 4)
5	SCREW M5x20 0/000.460.7435 (u. 4)
6	BOLT M6x16 0/000.460.7413 (u. 2)

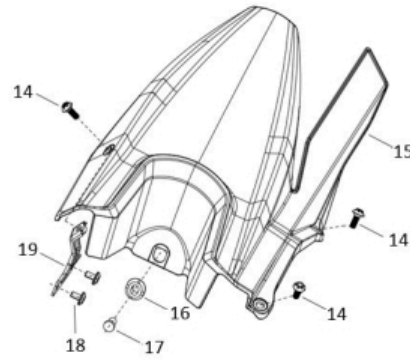
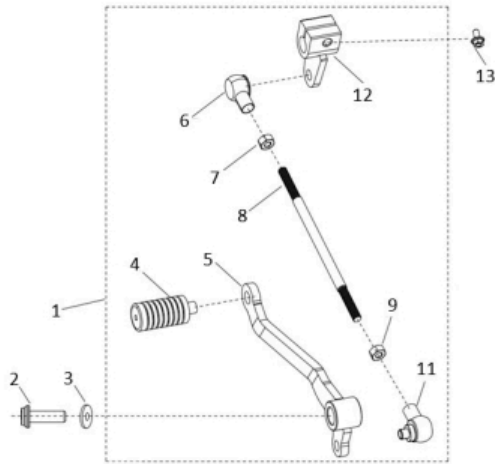
CANISTER - AIR FILTER ASSY.



1	CANISTER VALVE ASSEMBLY 0/000.640.7401 (u. 1)
2	CANISTER VALVE MOUNT RUBBER 0/000.980.7404 (u. 2)
3	CANISTER VALVE 0/000.640.7402 (u. 1)
4	CLAMP Ø10 0/000.680.7401 (u. 1)
5	CANISTER OUTLET HOSE 0/000.290.7408 (u. 1)
6	CANISTER INLET HOSE 0/000.290.7407 (u. 1)
7	CANISTER HOSE CLAMP 0/000.680.7406 (u. 3)
8	ANTI DUMPING VALVE 0/000.640.7403 (u. 1)
9	ANTI DUMPING VALVE TUBE 0/000.290.7406 (u. 1)
10	AIR FILTER BOX 0/000.910.7401 (u. 1)
11	BOLT M6x16 0/000.460.7425 (u. 7)
12	QUICK NUT M6 0/000.340.7407 (u. 5)
13	TORX SCREW M6x20 0/000.460.7412 (u. 1)
14	SIDE PLASTIC MOUNTING BUSHING 0/000.480.7413 (u. 1)
15	SIDE PLASTIC MOUNT RUBBER 0/000.360.7417 (u. 1)

16	AIR FILTER BOX CLAMP 0/000.680.7403 (u. 2)
17	AIR FILTER 0/001.070.7401 (u. 1)
18	AIR FILTER COVER 0/000.410.7401 (u. 1)

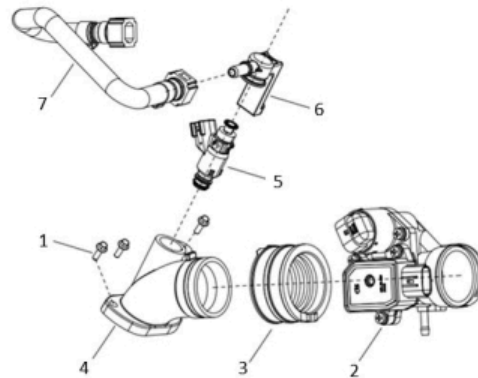
GEAR SELECTOR - REAR MUDGUARD



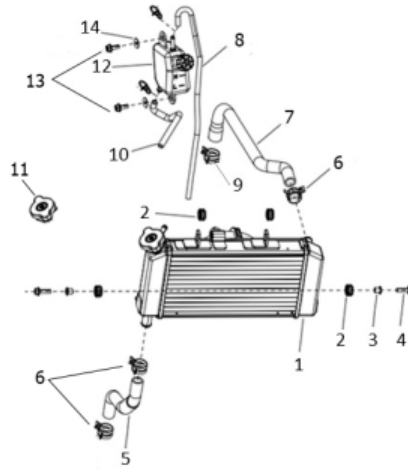
1	GEAR SHIFT PEDAL ASSEMBLY 0/005.430.7401 (u. 1)
2	BOLT M6x25 0/000.460.7433 (u. 1)
3	WASHER D6xD21 0/000.440.7403 (u. 1)
4	GEAR SHIFT PEDAL RUBBER 0/000.360.7406 (u. 1)
5	GEAR SHIFT PEDAL 0/005.430.7402 (u. 2)
6	GEAR SHIFT PEDAL BALL JOINT 2 0/000.460.7404 (u. 1)
7	NUT M6 0/000.340.7418 (u. 1)
8	GEAR SHIFT PEDAL SHAFT 0/000.190.7402 (u. 1)
9	NUT M6 0/000.340.7418 (u. 2)
10	WASHER D6xD21 0/000.440.7403 (u. 1)
11	GEAR SHIFT PEDAL BALL JOINT 0/000.460.7403 (u. 1)
12	GEAR SHIFT LEVER BRACKET 0/000.980.7405 (u. 1)
13	HEX SCREW C-FLANGED EN 1665 - M6x20 (BLACK ZINC-PLATED) 0/000.460.3862 (u. 3)
14	BOLT M6x12 0/000.460.7429 (u. 3)
15	REAR FENDER 0/000.060.7401 (u. 1)

16	FRAME SILENTBLOCK 0/000.360.7415 (u. 2)
17	PLASTIC RIVET 0/000.330.7401 (u. 1)
18	BOLT M6x12 0/000.460.7414 (u. 2)
19	REAR FENDER BRACKET 0/000.980.7433 (u. 1)

INJECTION BODY

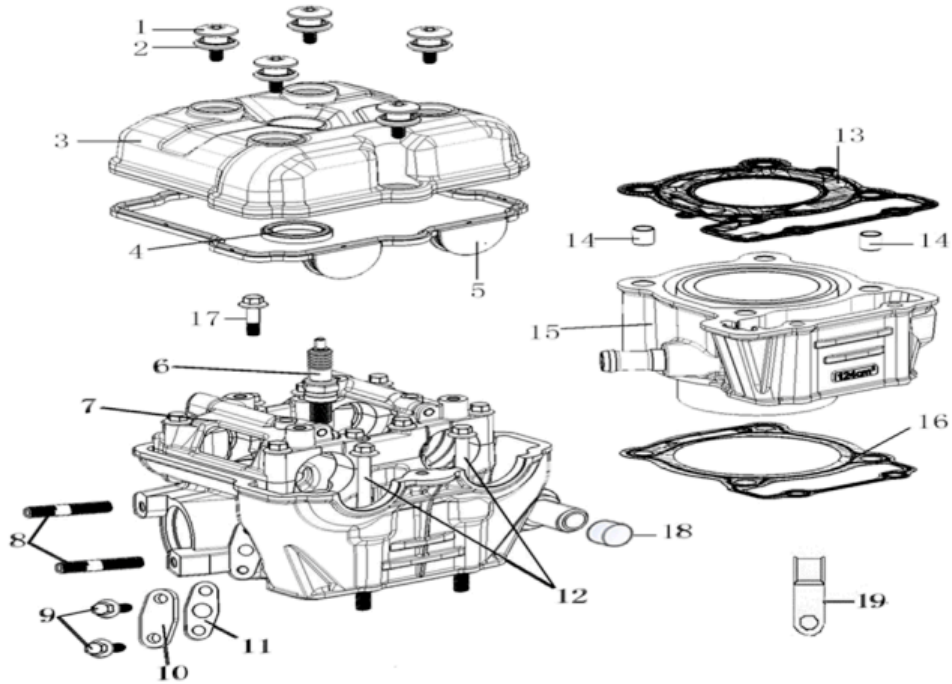


1	INTERNAL TORX HEX HEAD BOLT M6x1x16 0/000.460.7446 (u. 3)
2	THROTTLE BODY 0/005.158.7401 (u. 1)
3	THROTTLE BODY TO INTAKE MANIFOLD GASKET 0/000.360.7404 (u. 1)
4	INTAKE MANIFOLD 0/000.360.7403 (u. 1)
5	FUEL INJECTOR 0/005.158.7402 (u. 1)
6	INJECTOR BRACKET 0/000.980.7414 (u. 1)
7	INJECTOR CONNECTOR HOSE 0/000.290.7409 (u. 1)

COOLING SYSTEM


1	RADIATOR 0/000.580.7401 (u. 1)
2	ABS MODULE BRACKET MOUNT RUBBER 0/000.360.7414 (u. 4)
3	ABS MODULE BRACKET BUSHING 0/000.480.7404 (u. 2)
4	TORX SCREW M6x20 0/000.460.7412 (u. 2)
5	RADIATOR INLET HOSE 0/000.290.7405 (u. 1)
6	HOSE CLAMP 0/000.680.7404 (u. 3)
7	RADIATOR OUTLET HOSE 0/000.290.7404 (u. 1)
8	EXPANSION TANK OUTLET HOSE 0/000.290.7403 (u. 2)
9	RADIATOR OUTLET HOSE CLAMP 0/000.680.7405 (u. 1)
10	RESERVOIR SIPHON TUBE 0/000.290.7402 (u. 1)
11	RADIATOR CAP 0/000.410.7402 (u. 1)
12	EXPANSION TANK 0/000.030.7402 (u. 1)
13	BOLT M6x12 0/000.460.7414 (u. 2)
14	FLAT WASHER Ø6x18 0/000.440.7405 (u. 2)

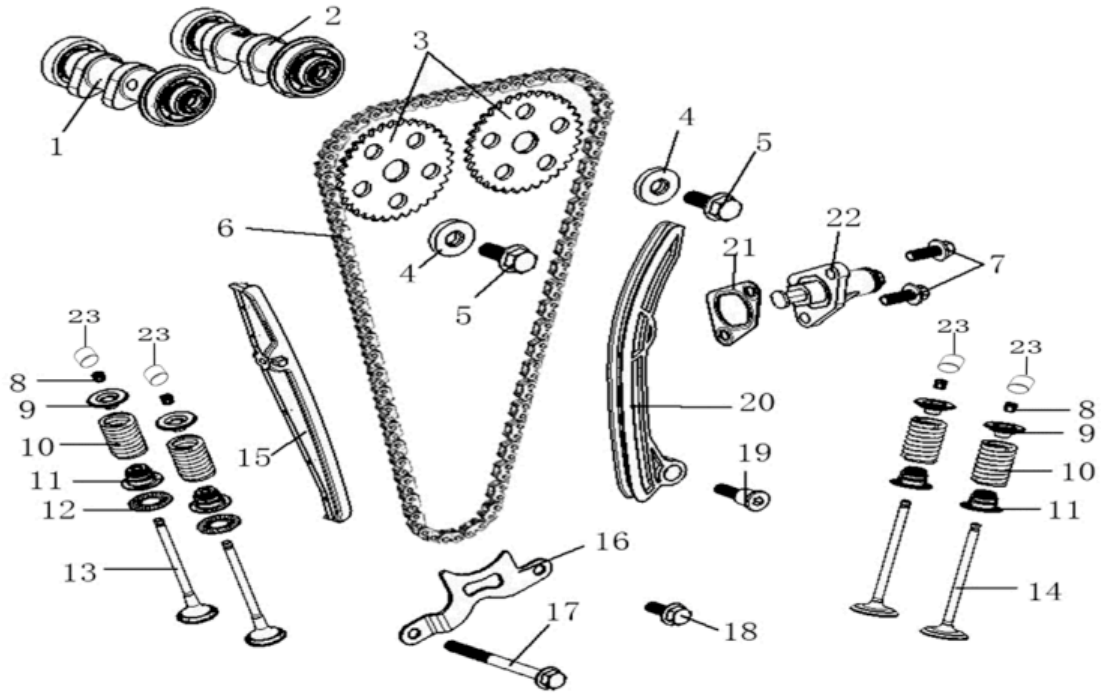
ZY NKD125 E5+

CYLINDER HEAD & CYLINDER


1	SCREW M6 0/228.001.0001 (u. 5)
2	WASHER 0/228.001.0002 (u. 5)
4	SPARK PLUG SEAT GASKET 0/228.001.0004 (u. 1)
5	CYLINDER HEAD COVER GASKET 0/228.001.0005 (u. 1)
6	SPARK PLUG 0/228.001.0006 (u. 1)
7	CYLINDER HEAD 0/228.001.0007 (u. 1)
8	EXHAUST MANIFOLD MOUNTING STUD 0/006.128.0003 (u. 2)
9	SCREW SENSOR TEMPERATURE AND PRESSURE M6x16 0/000.460.0093 (u. 2)
10	COVER 0/228.001.0010 (u. 1)
11	AIS VALVE COVER PAPER GASKET 0/228.001.0020 (u. 1)
12	STUD M6 X 120 0/228.001.0012 (u. 2)
13	CYLINDER HEAD GASKET 0/228.001.0013 (u. 1)
14	PIN D10 X 14 0/228.001.0014 (u. 2)
15	CYLINDER HEAD NKD 125 0/228.001.0019 (u. 1)
16	CYLINDER BLOCK GASKET 0/228.001.0021 (u. 1)
17	BOLT M6x35 0/006.126.0052 (u. 8)

18	DUST COVER 0/228.001.0018 (u. 1)
19	CLIP ELECTRICAL INSTALLATION 0/006.128.0010 (u. 1)

DISTRIBUCION Y VALVULAS

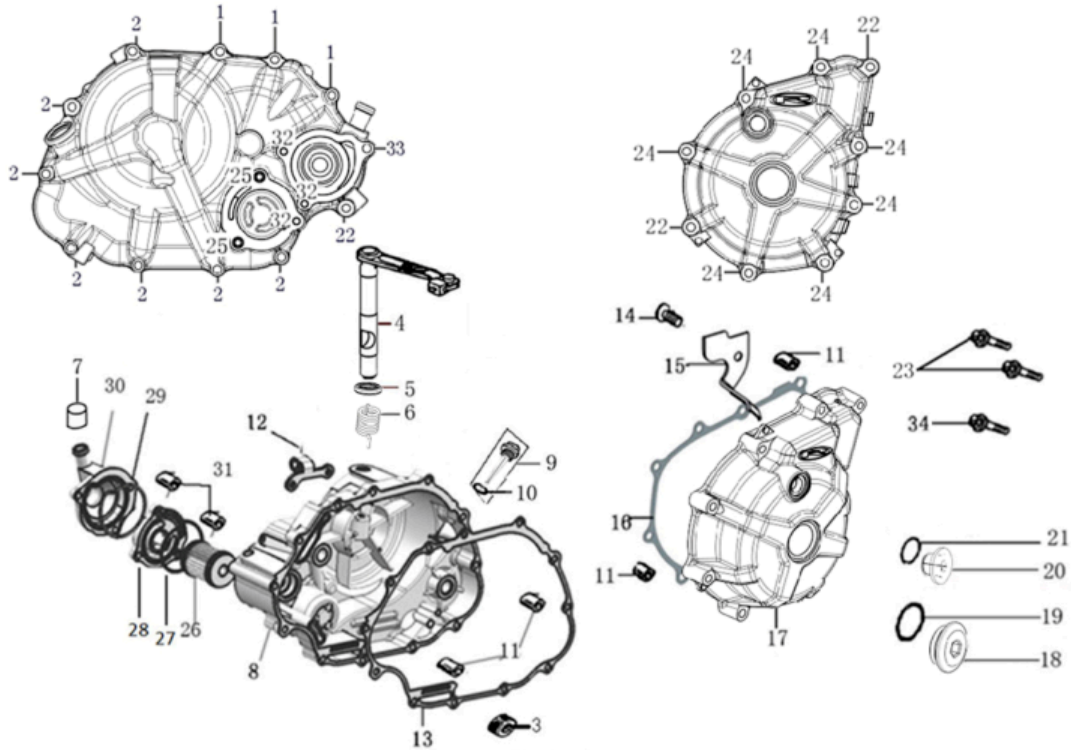


1	CAMSHAFT ASSEMBLY 0/228.002.0001 (u. 1)
2	CAMSHAFT ASSEMBLY 0/228.002.0002 (u. 1)
3	TIMING GEARS 0/228.002.0003 (u. 2)
4	WASHER D8.25 X 4 X D23 0/228.002.0004 (u. 2)
5	BOLT, M8 X 1 X 20 0/228.002.0005 (u. 2)
6	TIMING CHAIN 0/228.002.0006 (u. 1)
7	SCREW SENSOR TEMPERATURE AND PRESSURE M6x16 0/000.460.0093 (u. 2)
8	VALVE INSURANCE 0/228.002.0008 (u. 8)
9	VALVE HEAD SEAT 0/228.002.0009 (u. 4)
10	VALVE SPRING 0/228.002.0010 (u. 4)
11	VALVE SPRING SEAT 0/228.002.0011 (u. 4)
12	WASHER D9.2 X 0.5 X D20 0/228.002.0012 (u. 2)
13	EXHAUST VALVE 0/228.002.0013 (u. 2)
14	VALVULA ADMISION NKD 125 0/228.002.0024 (u. 2)
15	TIMING CHAIN GUIDE 0/228.002.0015 (u. 1)
16	CHAIN PROTECTOR 0/228.002.0016 (u. 1)

17	BOLT M6×70 0/006.128.0019 (u. 1)
18	BOLT M6×16 0/006.126.0033 (u. 1)
19	BOLT 0/228.002.0019 (u. 1)
20	TIMING CHAIN TENSIONER GUIDE 0/228.002.0020 (u. 1)
21	DISTRIBUTION CHAIN TENSIONER GASKET 0/228.002.0021 (u. 1)
22	TIMING CHAIN TENSIONER 0/228.002.0022 (u. 1)

	VALVE TAPPETS 225 0/006.127.0206 (u. 1)
	VALVE TAPPETS 700 0/006.127.0225 (u. 1)
	VALVE TAPPETS 200 0/006.127.0205 (u. 1)
	VALVE TAPPETS 725 0/006.127.0226 (u. 1)
	VALVE TAPPETS 500 0/006.127.0217 (u. 1)
	VALVE TAPPETS 375 0/006.127.0212 (u. 1)
	VALVE TAPPETS 250 0/006.127.0207 (u. 1)
	VALVE TAPPETS 625 0/006.127.0222 (u. 1)
	VALVE TAPPETS 575 0/006.127.0220 (u. 1)
	VALVE TAPPETS 650 0/006.127.0223 (u. 1)
	VALVE TAPPETS 550 0/006.127.0219 (u. 1)
23	VALVE TAPPETS 750 0/006.127.0227 (u. 1)
	VALVE TAPPETS 300 0/006.127.0209 (u. 1)
	VALVE TAPPETS 450 0/006.127.0215 (u. 1)
	VALVE TAPPETS 425 0/006.127.0214 (u. 1)
	VALVE TAPPETS 525 0/006.127.0218 (u. 1)
	VALVE TAPPETS 675 0/006.127.0224 (u. 1)
	VALVE TAPPETS 325 0/006.127.0210 (u. 1)
	VALVE TAPPETS 350 0/006.127.0211 (u. 1)
	VALVE TAPPETS 475 0/006.127.0216 (u. 1)
	VALVE TAPPETS 400 0/006.127.0213 (u. 1)
	VALVE TAPPETS 600 0/006.127.0221 (u. 1)
	VALVE TAPPETS 275 0/006.127.0208 (u. 1)

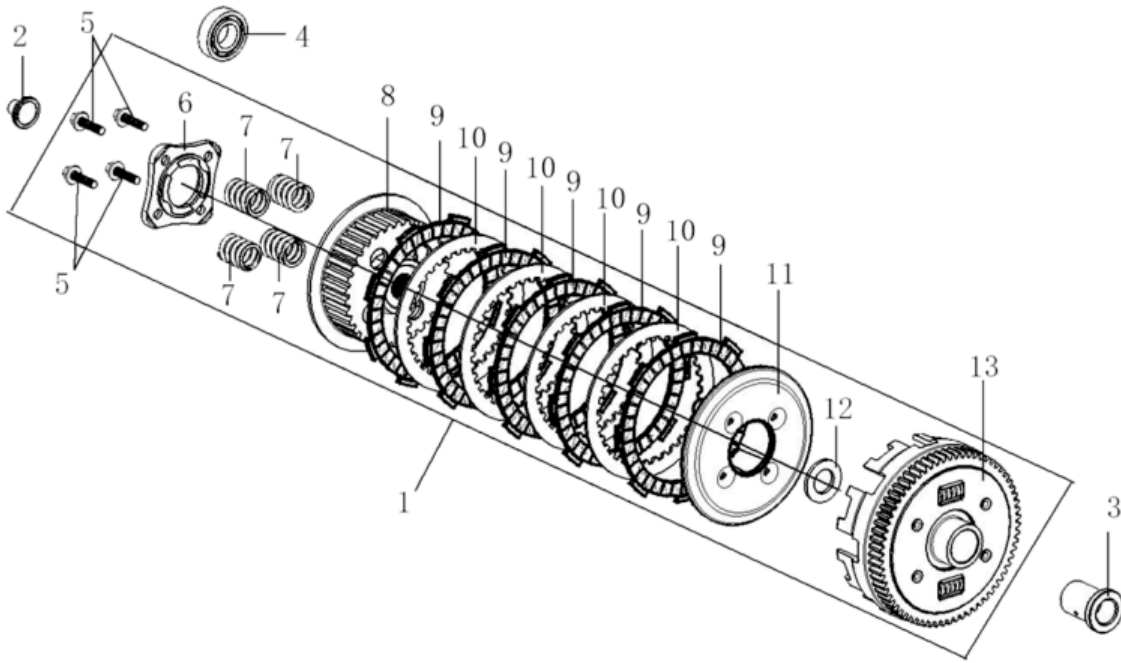
CUBIERTA EMBRAGUE



1	BOLT M6×30 0/006.128.0036 (u. 3)
2	BOLT M6×40 0/006.128.0037 (u. 6)
3	OIL SEAL 12×12×7 0/228.003.0003 (u. 1)
4	CLUTCH CONTROL ARM 0/228.003.0004 (u. 1)
5	OIL SEAL 12×18×5 0/228.003.0005 (u. 1)
6	CLUTCH CONTROL ARM SPRING 0/228.003.0006 (u. 1)
7	DUST COVER 0/228.003.0007 (u. 1)
8	CRANKCASE COVER 0/228.003.0008 (u. 1)
9	OIL LEVEL ROD 0/006.126.0061 (u. 1)
10	O-RING Ø18×3 0/006.128.0042 (u. 1)
11	CENTERING BUSHING 0/006.126.0022 (u. 4)
12	CLUTCH CABLE HOLDER 0/228.003.0012 (u. 1)
13	GASKET, CLUTCH COVER 0/006.126.0064 (u. 1)
14	SCREW M6 X 10 0/228.003.0014 (u. 1)
15	CABLE FIXING BRACKET, STATOR 0/006.126.0066 (u. 1)

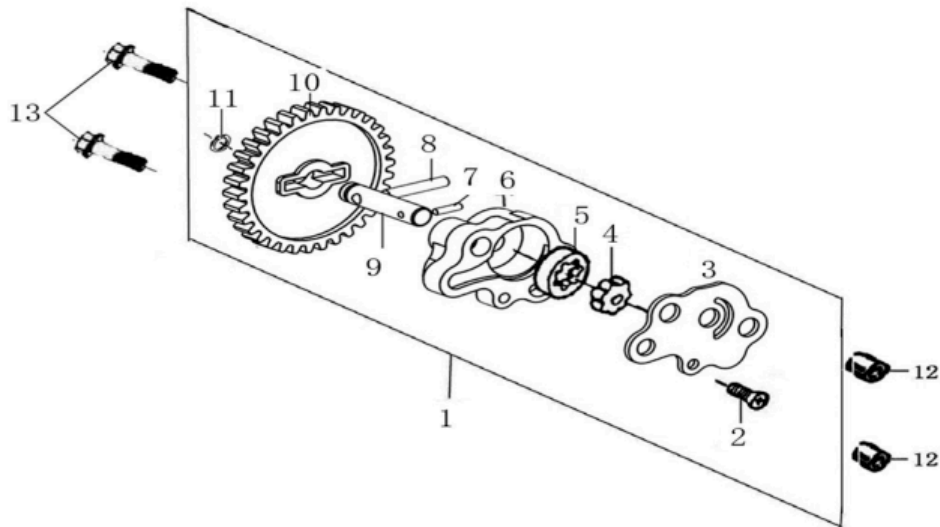
16	GASKET, FLYWHEEL COVER 0/006.126.0067 (u. 1)
17	CRANKSHAFT COVER 0/228.003.0017 (u. 1)
18	CAP BIG IGNITION COVER CENTURY v.2 0/000.410.4009 (u. 1)
19	OIL PLUG GASKET ø27.4x2.65 0/006.126.0070 (u. 1)
20	SMALL IGNITION COVER CAP CENTURY v.2 0/000.410.4008 (u. 1)
21	O-RING D13.2 X 2.65 0/228.003.0021 (u. 1)
22	HEX BOLT M6x45 HEAD 8 0/006.128.0047 (u. 3)
23	BOLT M6x30 0/006.128.0036 (u. 2)
24	BOLT M6x35 0/006.126.0052 (u. 7)
25	BOLT M6x22 0/006.128.0024 (u. 2)
26	OIL FILTER CENTURY V2 0/228.003.0026 (u. 1)
27	GASKET 0/228.003.0027 (u. 1)
28	OIL FILTER COVER 0/228.003.0028 (u. 1)
29	GASKET 0/228.003.0029 (u. 1)
30	WATER PUMP COVER 0/006.129.0001 (u. 1)
31	PIN D8 X 8 0/228.003.0031 (u. 2)
32	BOLT M6x20 0/006.128.0018 (u. 3)
33	BOLT M6 X 70 0/228.003.0033 (u. 1)
34	HEX BOLT M6x45 HEAD 8 0/006.128.0047 (u. 1)

EMBRAGUE



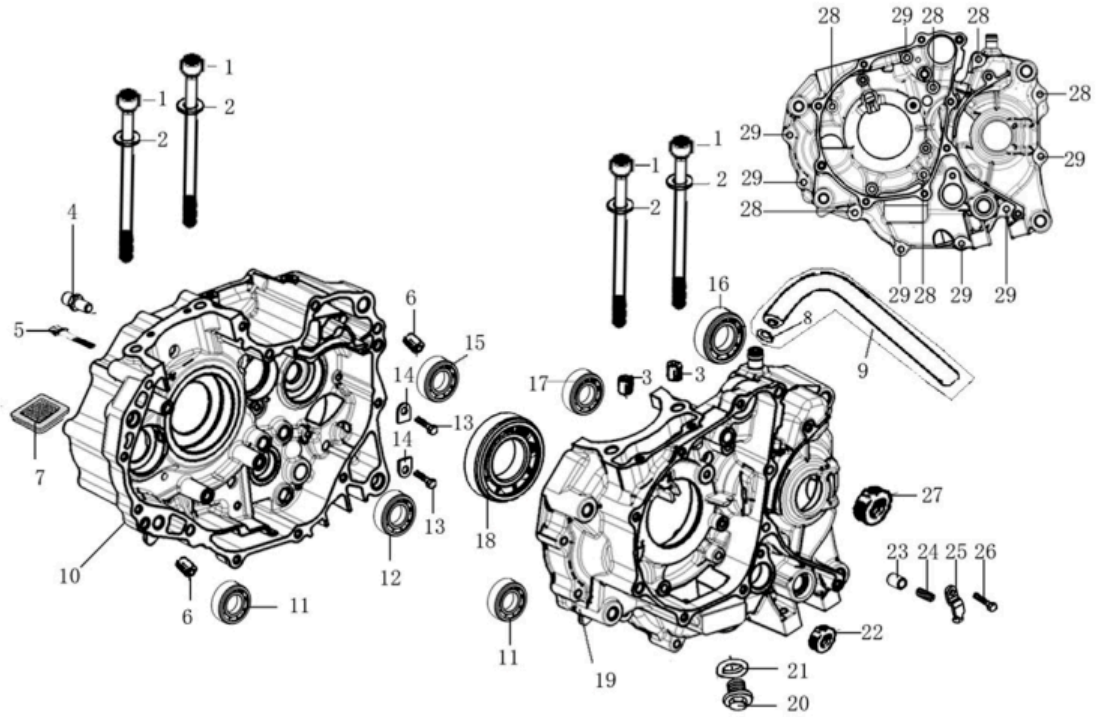
1	CLUTCH ASSEMBLY 0/228.004.0001 (u. 1)
2	CLUTCH GUIDE BUSHING 0/006.126.0041 (u. 1)
3	INNER BUSHING, CLUTCH BELL 0/006.126.0043 (u. 1)
4	BEARING (6003 C3) 0/228.004.0004 (u. 1)
5	BOLT M6x22 0/006.128.0024 (u. 4)
6	CLUTCH END COVER 0/006.128.0025 (u. 1)
7	CLUTCH SPRING 0/006.128.0026 (u. 4)
8	CLUTCH HUB 0/006.128.0027 (u. 1)
9	CLUTCH FRICTION DISK 0/006.128.0028 (u. 5)
10	METALLIC CLUTCH DISC 0/006.128.0029 (u. 4)
11	PRESSURE PLATE 0/006.128.0030 (u. 1)
12	WASHER 0/006.128.0031 (u. 1)
13	CLUTCH BELL 0/006.128.0032 (u. 1)

OIL PUMP



1	OIL PUMP ASSEMBLY 0/006.126.0051 (u. 1)
2	SCREW M4x8 0/006.128.0059 (u. 1)
3	OIL PUMP COVER 0/006.128.0060 (u. 1)
4	INNER ROTOR OIL PUMP 0/006.128.0061 (u. 1)
5	OUTER ROTOR OIL PUMP 0/006.128.0062 (u. 1)
6	OIL PUMP HOUSING 0/006.128.0063 (u. 1)
7	PIN Ø2.5 0/006.128.0064 (u. 1)
8	PIN Ø4 0/006.128.0065 (u. 1)
9	OIL PUMP SHAFT 0/006.128.0066 (u. 1)
10	OIL PUMP PINION 0/006.128.0067 (u. 1)
11	RETAINING RING 0/006.128.0068 (u. 1)
12	CENTERING BUSHING 0/006.126.0022 (u. 2)
13	BOLT M6x35 0/006.126.0052 (u. 2)

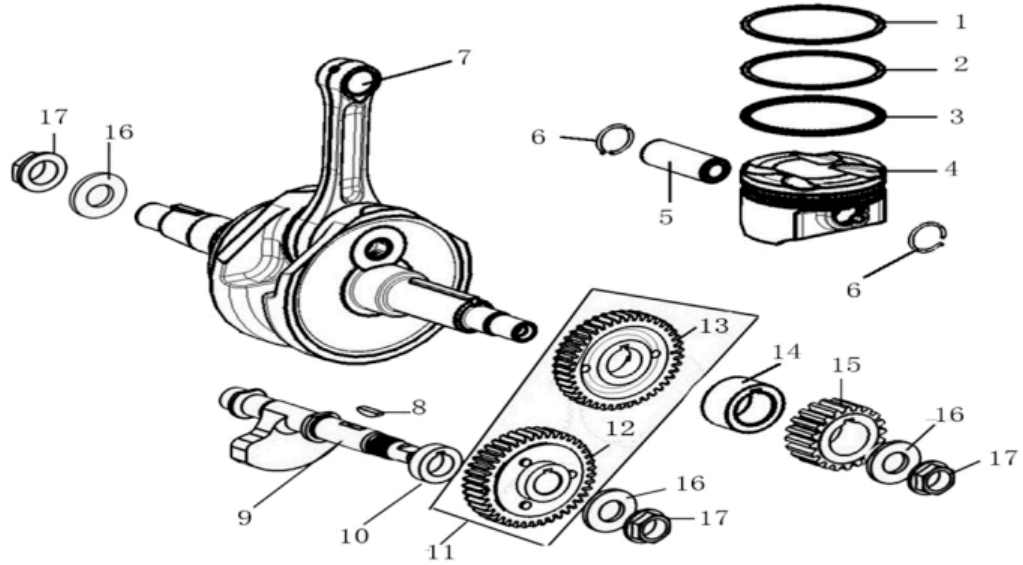
CUBIERTA MOTOR



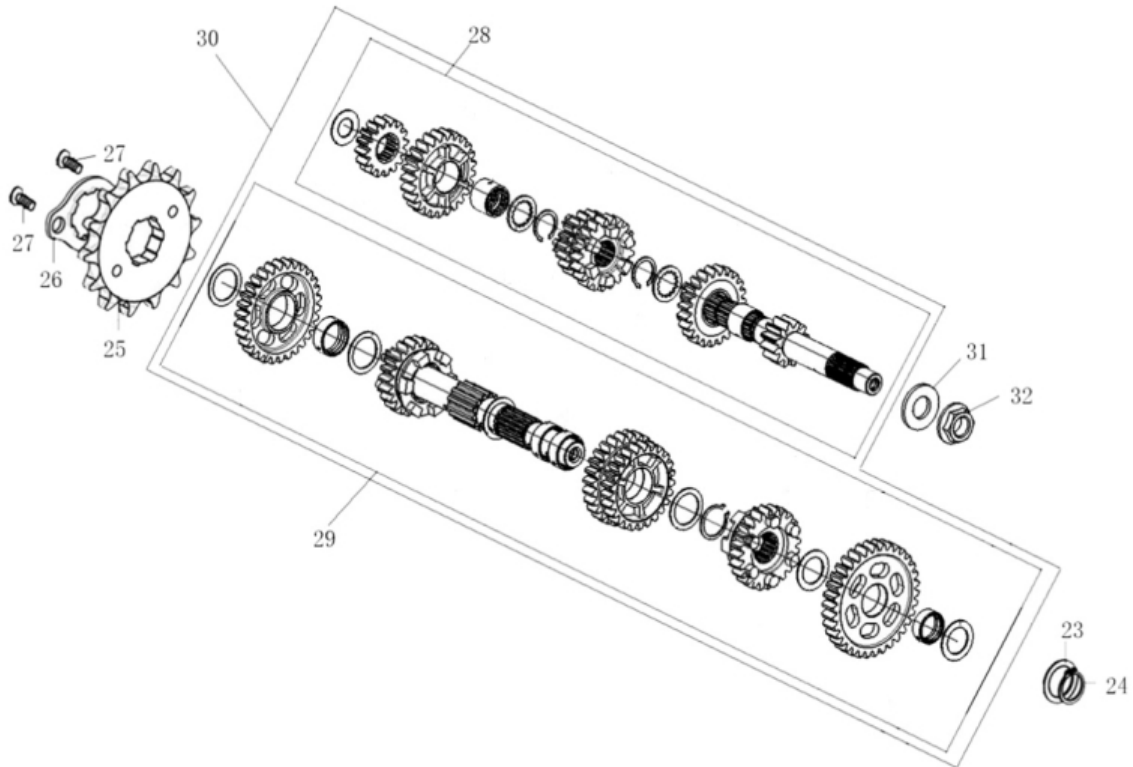
1	CYLINDER STUD BOLT 0/228.006.0001 (u. 4)	
2	WASHER, D8.5 X 1.5 X D16 0/228.006.0002 (u. 4)	
3	PIN D10 X 14 0/228.001.0014 (u. 2)	
4	BOLT M8x30 0/006.126.0080 (u. 1)	
5	SCREW M6 X 60 0/228.006.0005 (u. 1)	
6	CENTERING BUSHING 0/006.126.0022 (u. 2)	
7	OIL FILTER ELEMENT 0/006.126.0082 (u. 1)	
8	CLAMP 0/228.006.0008 (u. 1)	
9	TUBE 0/228.006.0009 (u. 1)	Obsolete
10	RIGHT CRANKSHAFT BLOCK 0/228.006.0010 (u. 1)	
11	BEARING 6302 0/228.006.0011 (u. 2)	
12	BEARING 6203_C3 0/228.006.0012 (u. 1)	
13	BOLT M6x16 0/006.126.0033 (u. 2)	
14	PRESSURE PLATE 0/006.126.0089 (u. 2)	
15	BEARING (6303X3-RS) 0/006.126.0090 (u. 1)	
16	BEARING 6204 0/228.006.0016 (u. 1)	

17	TRANSMISSION BEARING 6201 C3 0/006.052.0064 (u. 1)	
	BEARING (6201RS) 0/006.126.0092 (u. 1)	
18	BeaRing,(63/28_X2H) 0/228.006.0018 (u. 1)	Obsolete
19	LEFT CRANKSHAFT BLOCK 0/228.006.0019 (u. 1)	
20	OIL DRAIN PLUG 0/228.006.0020 (u. 1)	
21	WASHER $\phi 12.4 \times 2 \times \phi 20$ 0/006.126.0096 (u. 1)	
22	OIL SEAL 14 X 22 X 5 0/228.006.0022 (u. 1)	
23	PRESSURE PLATE 0/006.126.0098 (u. 1)	
24	PRESSURE PLATE 0/006.126.0099 (u. 1)	
25	PRESSURE PLATE 0/006.126.0100 (u. 1)	
26	SCREW SENSOR TEMPERATURE AND PRESSURE M6x16 0/000.460.0093 (u. 1)	
27	OIL SEAL 20 X 34 X 7 0/228.006.0027 (u. 1)	
28	BOLT M6x70 0/006.128.0019 (u. 6)	
29	BOLT M6x40 0/006.128.0053 (u. 7)	

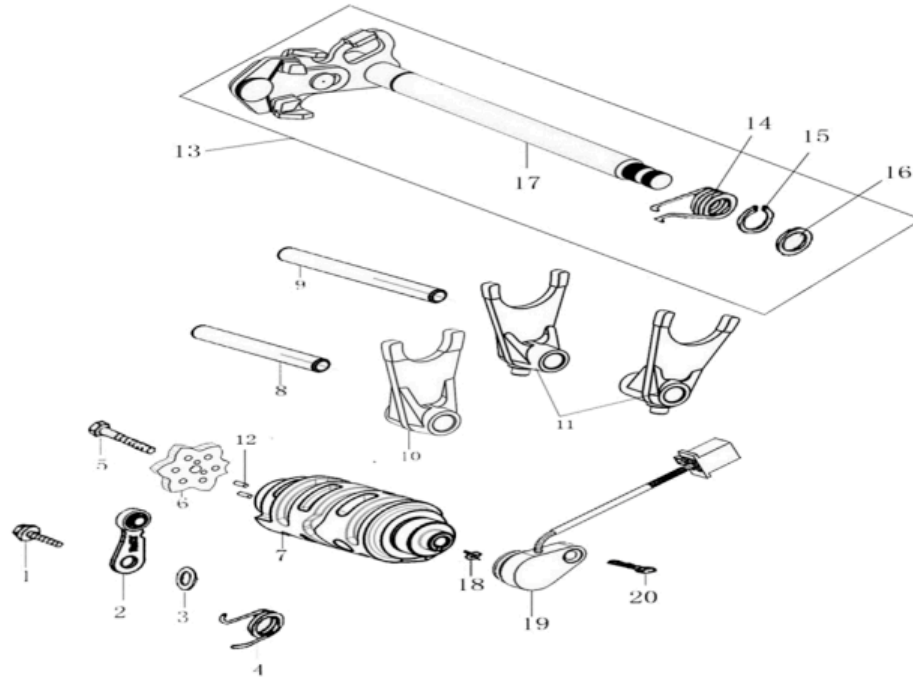
CIGÜEÑAL Y PISTON



1	PISTON RING 1 0/228.007.0001 (u. 1)
2	PISTON RING 2 0/228.007.0002 (u. 1)
3	OIL RING ASSEMBLY 0/228.007.0003 (u. 1)
4	PISTON NKD 125 0/228.007.0015 (u. 1)
5	PISTON PIN 0/228.007.0005 (u. 1)
6	PISTON PIN RING 0/228.007.0006 (u. 2)
7	CRANKSHAFT CONNECTING-ROD SET 0/228.007.0007 (u. 1)
8	BALANCE SHAFT KEY 0/006.126.0109 (u. 1)
9	COUNTERWEIGHT 0/228.007.0009 (u. 1)
10	BALANCE SHAFT SPACER BUSHING 0/006.126.0111 (u. 1)
11	SPROCKET SET 0/228.007.0011 (u. 1)
12	DRIVEN SPROCKET 0/228.007.0012 (u. 1)
13	DRIVEN SPROCKET 0/228.007.0013 (u. 1)
14	CRANKSHAFT BUSHING 0/228.007.0014 (u. 1)
15	PRIMARY SHAFT GEAR 0/006.126.0049 (u. 1)
16	WASHER $\phi 14.5 \times 2.8 \times \phi 29$ 0/006.126.0114 (u. 3)
17	NUT M14x1.25x11 0/006.126.0113 (u. 3)

TRANSMISION


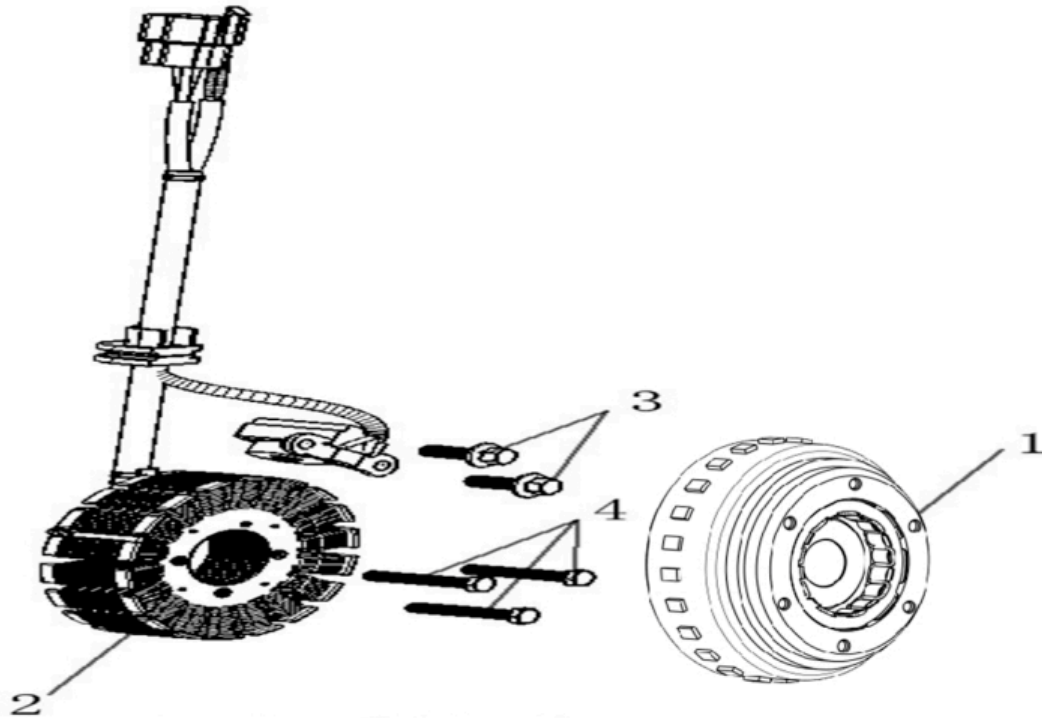
23	WASHER $\phi 17.5 \times 1.2 \times \phi 26$ 0/006.126.0120 (u. 1)
24	CIRCLIP $\phi 17$ 0/006.126.0121 (u. 1)
25	GEAR 0/228.008.0025 (u. 1)
26	GEAR FIXING COVER 0/228.008.0026 (u. 1)
27	BOLT 0/228.008.0027 (u. 2)
28	SET MAIN SHAFT 0/228.008.0028 (u. 1)
29	CONJUNTO EJE SECUNDARIO AVENTURA 125 V2 0/228.008.0032 (u. 1)
30	CONJUNTO TRANSMISION AVENTURA 125 V2 0/228.008.0034 (u. 1)
31	WASHER $\phi 14.5 \times 2.8 \times \phi 29$ 0/006.126.0114 (u. 1)
32	LOCK NUT 0/006.126.0115 (u. 1)

HORQUILLA CAMBIO


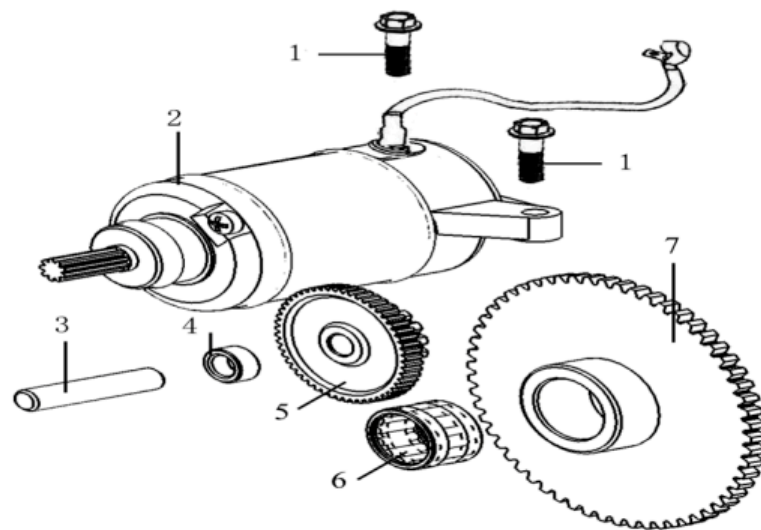
1	BOLT FIXING PLATE NKD 125 0/006.126.0150 (u. 1)
2	PLATE 0/228.009.0002 (u. 1)
3	WASHER $\varnothing 6,2 \times 1 \times \varnothing 14$ 0/006.126.0123 (u. 1)
4	SHIFT LEVER SPRING 0/006.126.0125 (u. 1)
5	BOLT M6 \times 20 0/006.126.0126 (u. 1)
6	PRESELECTOR BASE 0/006.126.0127 (u. 1)
7	GEARSHIFT DRUM 0/228.009.0007 (u. 1)
8	GEARSHIFT FORK SHAFT 0/228.009.0008 (u. 1)
9	GEAR SELECTOR FORK SHAFT 0/228.009.0009 (u. 1)
10	PRIMARY AXLE FORK 0/006.126.0133 (u. 1)
11	HORQUILLA CAMBIO S/SECUNDARIO v2 0/228.008.0037 (u. 2)
12	PIN $\varnothing 3 \times 8,5$ 0/006.126.0137 (u. 2)
13	GEARSHIFT FORK 0/228.009.0013 (u. 1)
14	RETURN SPRING SELECTOR SHAFT 0/006.128.0095 (u. 1)
15	CIRCLIP $\varnothing 14$ 0/006.128.0096 (u. 1)
16	WASHER $\varnothing 14 \times 1 \times \varnothing 21$ 0/006.128.0097 (u. 1)

18	GEAR INDICATOR SWITCH 0/228.009.0018 (u. 1)
19	GEAR INDICATOR SWITCH 0/228.009.0019 (u. 1)
20	SCREW, M6 X 20 0/228.009.0020 (u. 1)

VOLANTE MAGNETICO

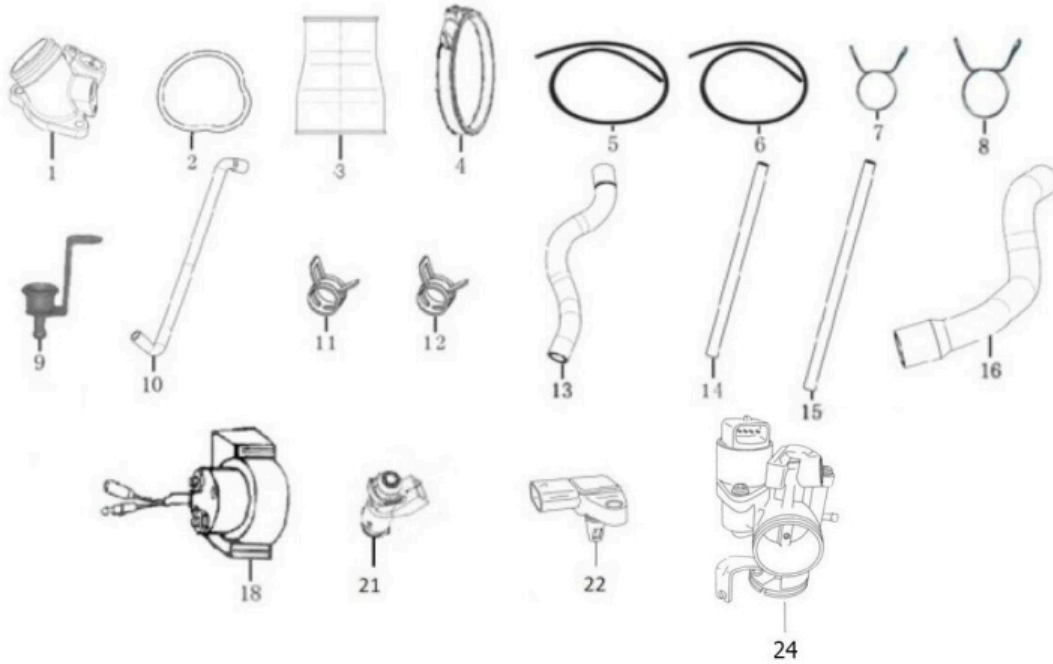


1	ROTOR SET, MAGNETO 0/006.126.0138 (u. 1)
2	STATOR ASSEMBLY, MAGNETO 0/228.010.0002 (u. 1)
3	SCREW SENSOR TEMPERATURE AND PRESSURE M6x16 0/000.460.0093 (u. 2)
4	BOLT M5x30 0/006.126.0141 (u. 3)
5	MAGNETIC FLYWHEEL PULLER CENTURY E5 - MRT 125i LC E5 0/005.050.0801 (u. 1)

MOTOR ARRANQUE


1	BOLT M6×25 0/006.128.0035 (u. 2)
2	STARTING MOTOR ASSY NKD 125 0/228.011.0003 (u. 1)
3	STARTER PINION SHAFT 0/006.126.0144 (u. 1)
4	STARTER SHAFT BUSHING 0/006.126.0145 (u. 1)
5	STARTER PINION, SMALL 0/006.126.0146 (u. 1)
6	NEEDLE BEARING (K22×29×17) 0/006.126.0147 (u. 1)
7	STARTER GEAR LARGE 0/006.126.0148 (u. 1)

OTHER ENGINE SPARE PARTS



1 INTAKE PIPE AVENTURA 125 E5+ (WITH O-RING)
0/000.360.4321 (u. 1)

2 O-RING INTAKE-INJECTION PIPE AVENTURA E5+
0/000.490.4005 (u. 1)

3 ADMISSION-INJECTION RUBBER PIPE CENTURY
0/000.360.4016 (u. 1)

4 CLAMP INLET PIPE CENTURY v.2
0/000.680.4022 (u. 1)

5 NBR-NVC COPOLAN PIPE Ø4 x Ø8 x 270
0/000.290.4035 (u. 1)

6 COPOLAN-NBR-NVC PIPE Ø6 x Ø10 x 850
0/000.290.4036 (u. 1)

7 CLIP SPRING Ø9.5
0/000.680.4021 (u. 1)

8 CLIP SPRING Ø7.5
0/000.680.4020 (u. 1)

9 FUEL PIPE INJECTOR BRACKET
0/000.980.4229 (u. 1)

10 ENGINE VAPOR TUBE TO FILTER BOX
0/000.290.4030 (u. 1)

11 SPRING CLAMP Ø12.5
0/000.680.4016 (u. 1)

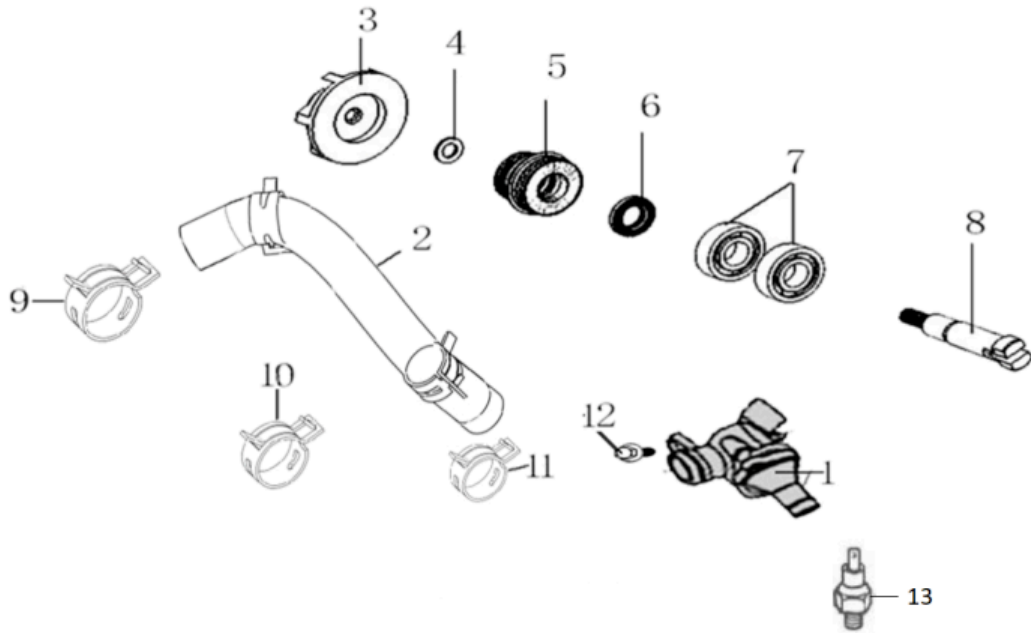
12 SPRING CLAMP Ø15
0/000.680.4015 (u. 1)

13 RADIATOR TO CYLINDER HEAD PIPE
0/000.290.4028 (u. 1)

14 EXPANSION TANK OVERFLOW TUBE
0/000.290.4020 (u. 1)

15 RADIATOR OVERFLOW TUBE
0/000.290.4019 (u. 1)

16	RADIATOR TO WATER PUMP PIPE CENTURY v.2 0/000.290.4029 (u. 1)
21	INJECTOR CENTURY v2 125i EURO5 2020 0/005.158.4000 (u. 1)
22	PRESSURE AND TEMPERATURE SENSOR CENTURY v2 EURO5 0/001.010.4002 (u. 1)
24	THROTTLE BODY AVENTURA 125 E5+ 0/005.158.4301 (u. 1)

CIRCUITO REFRIGERANTE


1	THERMOSTAT NKD 125 0/228.013.0009 (u. 1)
2	THERMOSTAT HOSE 0/228.013.0011 (u. 1)
3	WATER PUMP 0/228.013.0003 (u. 1)
4	WASHER 0/228.013.0004 (u. 1)
5	MECHANISM 0/228.013.0005 (u. 1)
6	OIL SEAL 12 X 20 X 5 0/228.013.0006 (u. 1)
7	BEARING 6001 0/228.013.0007 (u. 2)
8	WATER PUMP SHAFT 0/228.013.0008 (u. 1)
9	SPRING CLAMP Ø26 0/000.680.4019 (u. 2)
10	SPRING CLAMP Ø24 0/000.680.4018 (u. 1)
11	SPRING HOSE CLAMP Ø20 0/000.680.4017 (u. 1)
12	SCREW SENSOR TEMPERATURE AND PRESSURE M6x16 0/000.460.0093 (u. 1)
13	TEMPERATURE SENSOR AVENTURA 125 E5+ 0/001.010.4309 (u. 1)